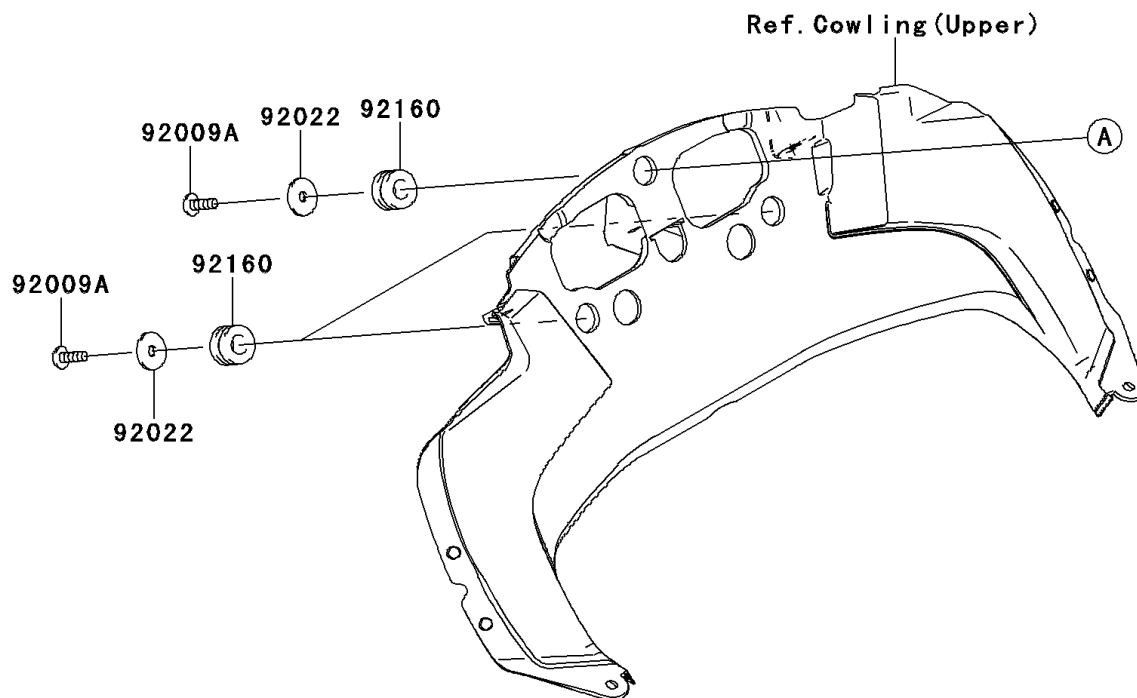
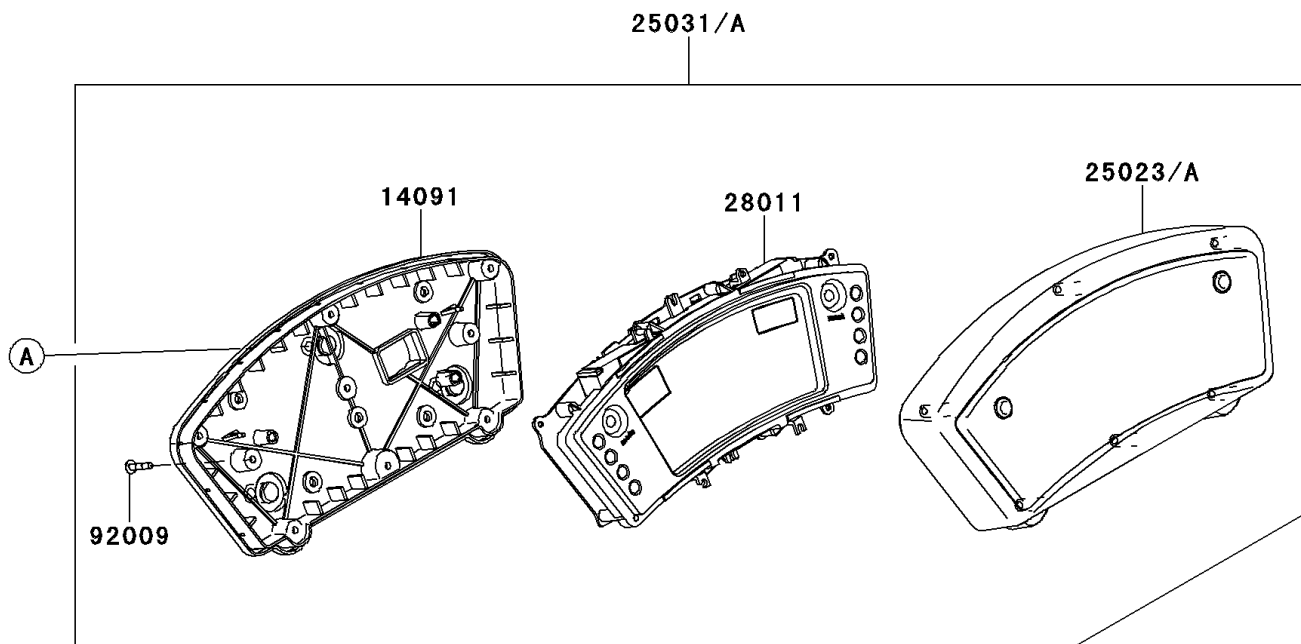


## 2011 NINJA® 650R PARTS DIAGRAM

Meter(s)

F2530



## 2011 NINJA® 650R PARTS LIST

Meter(s)

ITEM NAME	PART NUMBER	QUANTITY
COVER,METER HOUSING (Ref # 14091)	14091-1712	1
COVER-METER CASE,UPP (Ref # 25023A)	25023-0068	1
METER-ASSY,LCD (Ref # 25031A)	25031-0339	1
METER,LCD (Ref # 28011)	28011-0119	1
SCREW,TAPPING,3X16 (Ref # 92009)	92009-1164	1
SCREW,TAPPING,5X14 (Ref # 92009A)	92009-1197	1
WASHER,5.5X20X1.2 (Ref # 92022)	92022-1405	1
DAMPER (Ref # 92160)	92160-1167	1