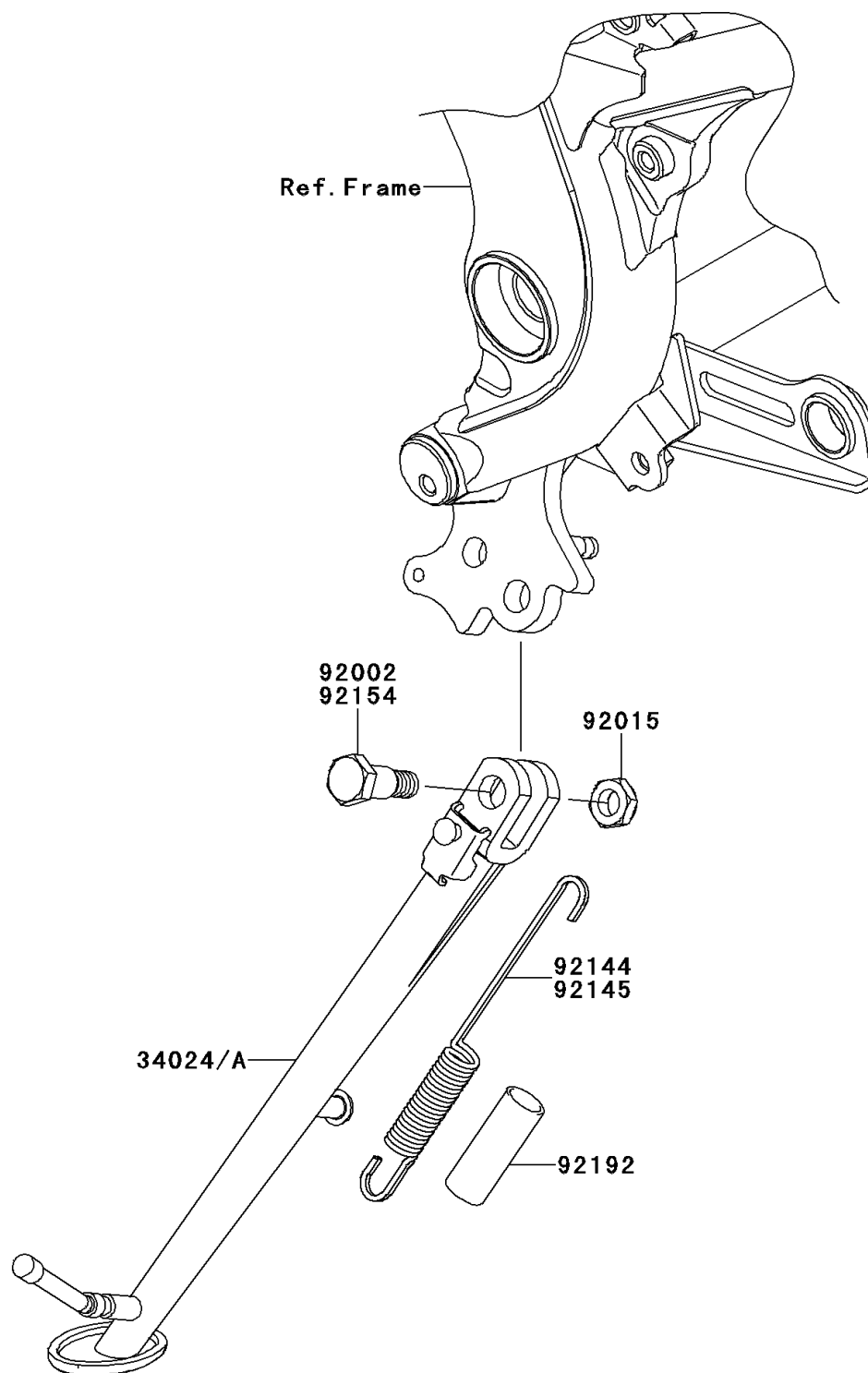


2011 NINJA® 650R PARTS DIAGRAM

Stand(s)

F2180



2011 NINJA® 650R PARTS LIST

Stand(s)

| ITEM NAME | PART NUMBER | QUANTITY |
|-----------------------------------|-------------|----------|
| STAND-SIDE (Ref # 34024A) | 34024-0096 | 1 |
| NUT,LOCK,10MM,BLACK (Ref # 92015) | 92015-1188 | 1 |
| SPRING,SIDE STAND (Ref # 92145) | 92145-0813 | 1 |
| BOLT,10X32.5 (Ref # 92154) | 92154-0437 | 1 |
| TUBE,14X17X50 (Ref # 92192) | 92192-0700 | 1 |