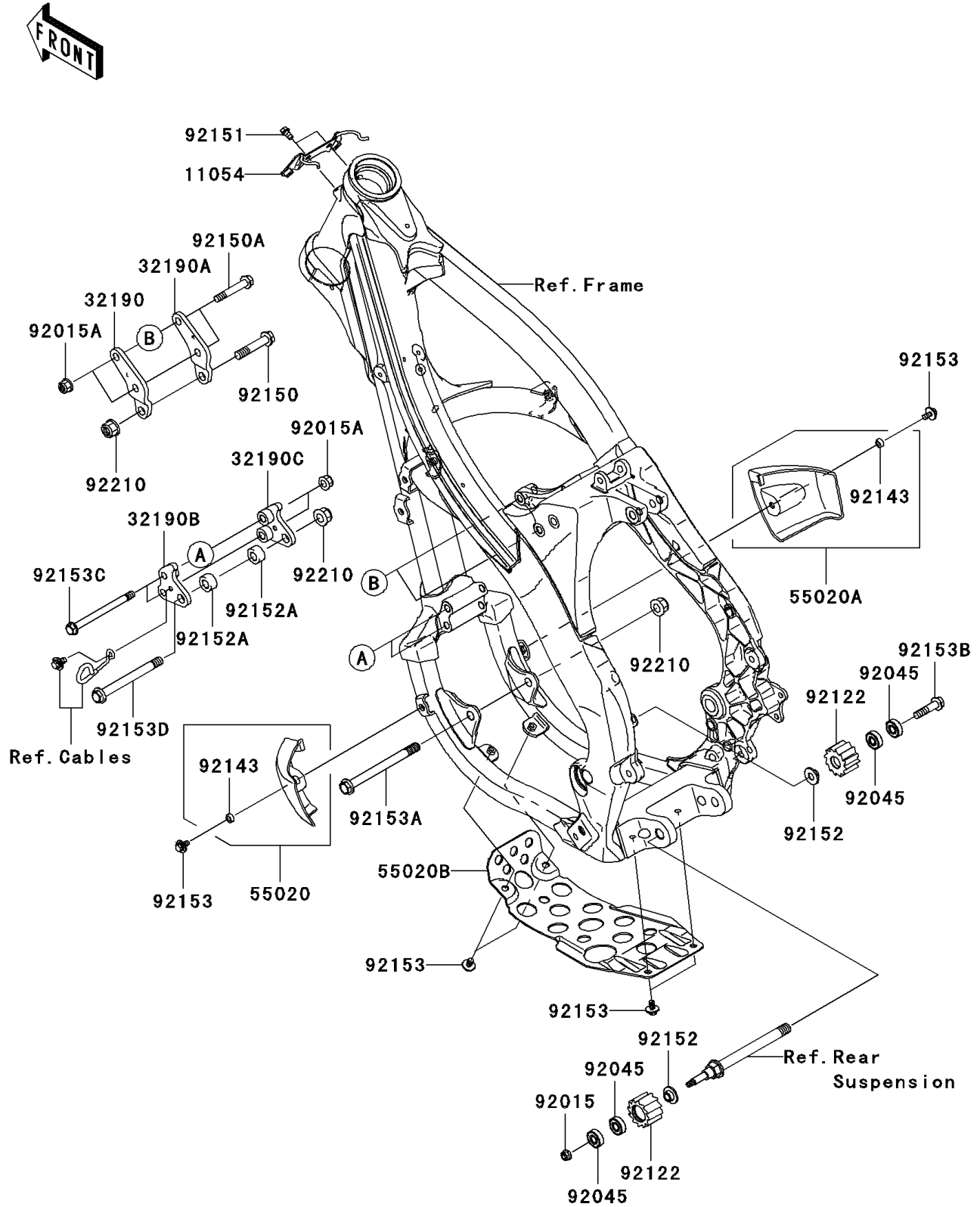


# 2008 KX™ 250F PARTS DIAGRAM

## Frame Fittings

F2131



## 2008 KX™ 250F PARTS LIST

### Frame Fittings

ITEM NAME	PART NUMBER	QUANTITY
BRACKET,IGNITER (Ref # 11054)	11054-0241	1
BRACKET-ENGINE,UPP,LH (Ref # 32190)	32190-0172	1
BRACKET-ENGINE,UPP,RH (Ref # 32190A)	32190-0173	1
BRACKET-ENGINE,FR,LH (Ref # 32190B)	32190-0363	1
BRACKET-ENGINE,FR,RH (Ref # 32190C)	32190-0364	1
GUARD,ENGINE,FR,LH (Ref # 55020)	55020-0175	1
GUARD,ENGINE,FR,RH (Ref # 55020A)	55020-0176	1
GUARD,ENGINE,LWR (Ref # 55020B)	55020-0257	1
NUT,LOCK,FLANGED,6MM (Ref # 92015)	92015-1339	1
NUT,8MM (Ref # 92015A)	92015-1432	4
BEARING-BALL,608LLU/2A (Ref # 92045)	92045-0060	4
ROLLER,CHAIN GUIDE (Ref # 92122)	92122-0016	2
COLLAR (Ref # 92143)	92143-1307	2
BOLT,FLANGED,10X49 (Ref # 92150)	92150-1170	1
BOLT,FLANGED,8X50 (Ref # 92150A)	92150-1214	2
BOLT,FLANGED,6X10 (Ref # 92151)	92151-1233	2
COLLAR (Ref # 92152)	92152-0459	2
COLLAR,10.2X20X10 (Ref # 92152A)	92152-0595	2
BOLT,6X12 (Ref # 92153)	92153-0503	6
BOLT,FLANGED,10X120 (Ref # 92153A)	92153-1359	1
BOLT,FLANGED,8X35 (Ref # 92153B)	92153-1652	1
BOLT,FLANGED,8X102 (Ref # 92153C)	92153-1916	2
BOLT,FLANGED,10X104 (Ref # 92153D)	92153-1917	1
NUT,LOCK,FLANGED,10MM (Ref # 92210)	92210-1080	3