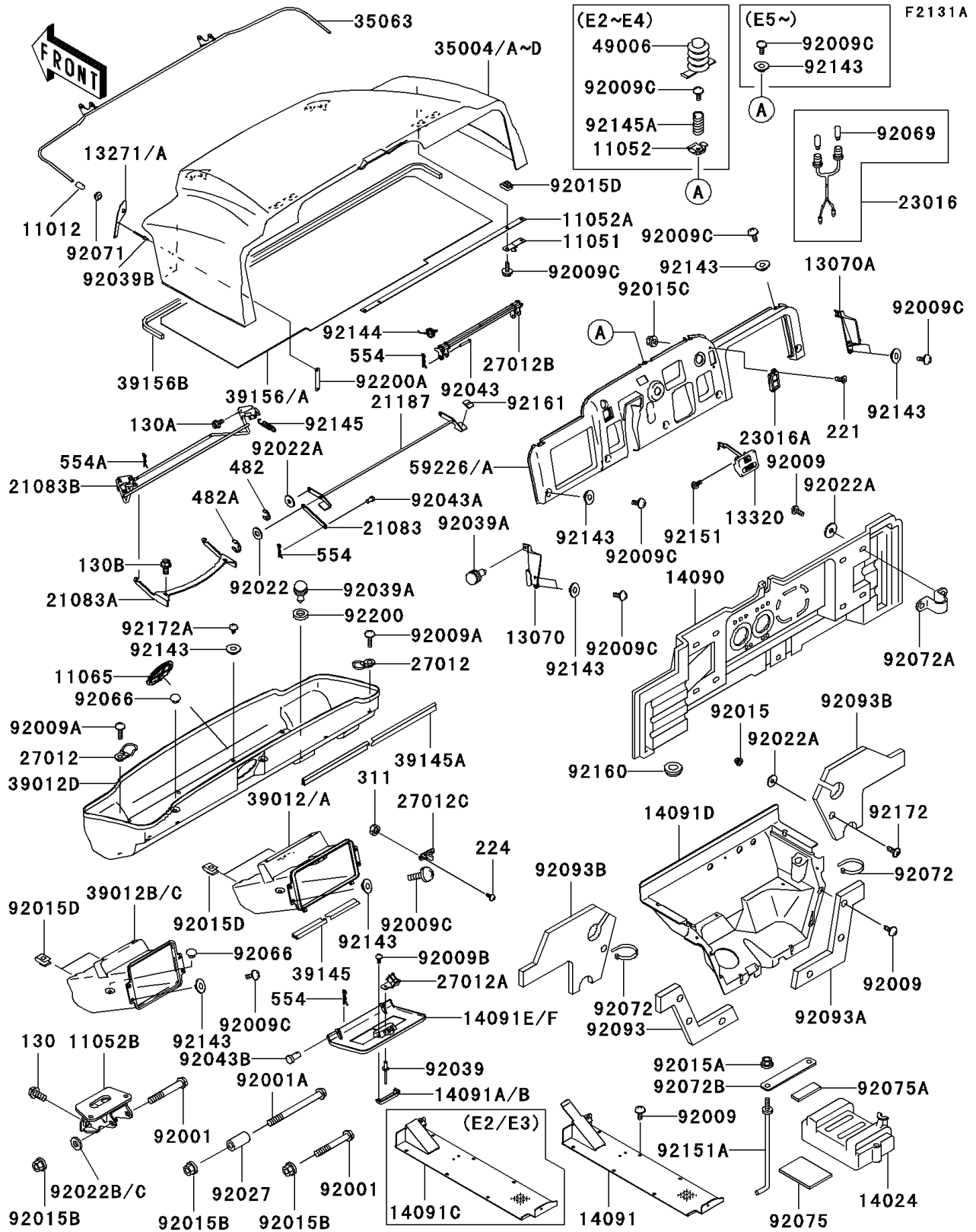


Mule 3010 4X4 PARTS DIAGRAM

Frame Fittings(KAF620-E2-E5)



Mule 3010 4X4 PARTS LIST

Frame Fittings(KAF620-E2-E5)

ITEM NAME	PART NUMBER	QUANTITY
CAP (Ref # 11012)	11012-1985	1
BRACKET (Ref # 11051)	11051-1756	1
BRACKET (Ref # 11052)	11052-1258	1
BRACKET (Ref # 11052A)	11052-1369	1
BRACKET,FRONT GEAR CASE (Ref # 11052B)	11052-1575	1
CAP,F.BLACK (Ref # 11065)	11065-1053-6Z	1
GUIDE,LH (Ref # 13070)	13070-1367	1
GUIDE,RH (Ref # 13070A)	13070-1368	1
PLATE,RR (Ref # 13271)	13271-1717	1
LEVER-ASSY (Ref # 13320)	13320-1016	1
COVER,BATTERY (Ref # 14024)	14024-1792	1
COVER,SEAT UNDER (Ref # 14090)	14090-1247	1
COVER,GRAY (Ref # 14091A)	14091-1228-AZ	1
COVER,FLOOR,CNT (Ref # 14091C)	14091-1250	1
COVER,FLOOR (Ref # 14091D)	14091-1378	1
COVER,CONTROL PANEL,GRAY (Ref # 14091E)	14091-1399-AZ	1
ARM (Ref # 21083)	21083-1146	1
ARM (Ref # 21083A)	21083-1163	1
ARM (Ref # 21083B)	21083-1172	1
ARM-ASSY (Ref # 21187)	21187-1085	1
LAMP-ASSY,INDICATOR (Ref # 23016)	23016-1188	1
LAMP-ASSY (Ref # 23016A)	23016-1189	1
HOOK (Ref # 27012)	27012-1577	1
HOOK (Ref # 27012A)	27012-1607	1
HOOK (Ref # 27012B)	27012-1608	1
HOOK (Ref # 27012C)	27012-1612	1
FENDER-FRONT,H.GREEN (Ref # 35004C)	35004-1446-6A	1
FENDER-FRONT,F.RED (Ref # 35004D)	35004-1446-6L	1
STAY,FR FENDER (Ref # 35063)	35063-1203	1

Mule 3010 4X4 PARTS LIST

Frame Fittings(KAF620-E2-E5)

ITEM NAME	PART NUMBER	QUANTITY
CASE-STORAGE,RH,GRAY (Ref # 39012)	39012-1061-AZ	1
CASE-STORAGE,LH,GRAY (Ref # 39012B)	39012-1062-AZ	1
CASE-STORAGE,CNT (Ref # 39012D)	39012-1066	1
TRIM-SEAL,L=774 (Ref # 39145)	39145-1130	1
TRIM-SEAL,L=2805 (Ref # 39145A)	39145-1132	1
PAD,FRONT FENDER (Ref # 39156A)	39156-1684	1
PAD (Ref # 39156B)	39156-1685	1
BOOT (Ref # 49006)	49006-1347	1
PANEL-CONTROL,GRAY (Ref # 59226)	59226-1060-AZ	1
BOLT,FLANGED,10X70 (Ref # 92001)	92001-1600	1
BOLT,FLANGED,10X115 (Ref # 92001A)	92001-1603	1
SCREW (Ref # 92009)	92009-1166	1
SCREW,6X22,BLACK (Ref # 92009A)	92009-1256	1
SCREW,TAPPING,4X12 (Ref # 92009B)	92009-1444	1
SCREW,6X16 (Ref # 92009C)	92009-1621	1
NUT,6MM (Ref # 92015)	92015-1386	1
NUT,FLANGED,8MM (Ref # 92015A)	92015-1406	1
NUT,LOCK,10MM (Ref # 92015B)	92015-1597	1
NUT,LOCK,FLANGED,6MM (Ref # 92015C)	92015-1603	1
NUT,CLAMP,6MM (Ref # 92015D)	92015-1678	1
WASHER,8.5X20X1.6,BLACK (Ref # 92022)	92022-1317	1
WASHER,6.5X20X1.6,BLACK (Ref # 92022A)	92022-1346	1
WASHER,10.2X20X0.5 (Ref # 92022B)	92022-1649	1
WASHER,10.5X20X1 (Ref # 92022C)	92022-239	1
COLLAR,11X20X39 (Ref # 92027)	92027-1518	1
RIVET (Ref # 92039)	92039-1041	1
RIVET (Ref # 92039A)	92039-1229	1
RIVET (Ref # 92039B)	92039-1244	1
PIN,6X39 (Ref # 92043)	92043-1625	1

Mule 3010 4X4 PARTS LIST

Frame Fittings(KAF620-E2-E5)

ITEM NAME	PART NUMBER	QUANTITY
PIN,6X9 (Ref # 92043A)	92043-1626	1
PIN,6X13 (Ref # 92043B)	92043-1627	1
PLUG (Ref # 92066)	92066-1485	1
BULB,12V 3W,T7 (Ref # 92069)	92069-1020	1
GROMMET,10MM (Ref # 92071)	92071-019	1
BAND,L=365 (Ref # 92072)	92072-1197	1
BAND (Ref # 92072A)	92072-1252	1
BAND,L=159 (Ref # 92072B)	92072-1399	1
DAMPER (Ref # 92075)	92075-1076	1
DAMPER (Ref # 92075A)	92075-1214	1
SEAL,FRONT FENDER,LH (Ref # 92093)	92093-1293	1
BOLT-FLANGED,10X20 (Ref # 130)	130G1020	1
BOLT-FLANGED,6X16,BLACK (Ref # 130A)	130J0616	1
BOLT-FLANGED,8X16,BLACK (Ref # 130B)	130J0816	1
SCREW-CSK-CROS (Ref # 221)	221C0616	1
SCREW-PAN-WP-CROS,4X12 (Ref # 224)	224C0412	1
NUT-HEX (Ref # 311)	311C0400	1
CIRCLIP-TYPE-E,5MM (Ref # 482)	482L5000	1
CIRCLIP-TYPE-E (Ref # 482A)	482L7000	1
PIN-SNAP (Ref # 554)	554A0600	1
PIN-SNAP,8MM (Ref # 554A)	554A0800	1
SEAL,FRONT FENDER,RH (Ref # 92093A)	92093-1294	1
SEAL,LOWER COVER (Ref # 92093B)	92093-1295	1
COLLAR (Ref # 92143)	92143-1087	1
SPRING,SEAT HOOK (Ref # 92144)	92144-1174	1
SPRING (Ref # 92145)	92145-1335	1
SPRING (Ref # 92145A)	92145-1402	1
BOLT,5X12 (Ref # 92151)	92151-1305	1
BOLT,BATTERY (Ref # 92151A)	92151-1897	1

Mule 3010 4X4 PARTS LIST

Frame Fittings(KAF620-E2-E5)

ITEM NAME	PART NUMBER	QUANTITY
DAMPER (Ref # 92160)	92160-1148	1
DAMPER (Ref # 92161)	92161-1197	1
SCREW,6X18 (Ref # 92172)	92172-0002	1
SCREW,TAPPING,6X12 (Ref # 92172A)	92172-0003	1
WASHER,8.5X26X0.8 (Ref # 92200)	92200-1567	1
WASHER (Ref # 92200A)	92200-1592	1