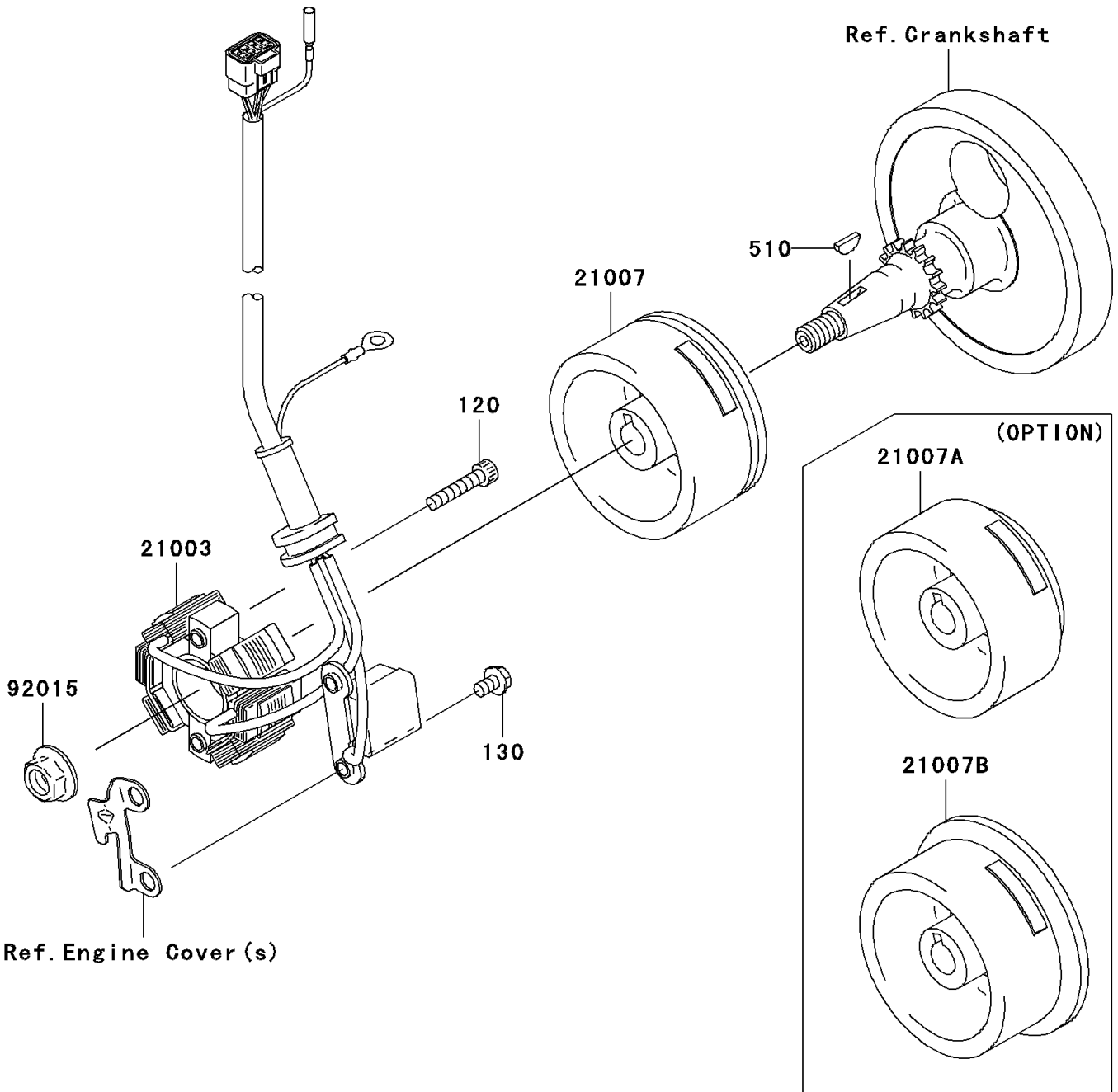


2008 KX™ 250F PARTS DIAGRAM

Generator

E1810



2008 KX™ 250F PARTS LIST

Generator

ITEM NAME	PART NUMBER	QUANTITY
BOLT-SOCKET,5X25 (Ref # 120)	120P0525	2
BOLT-FLANGED,5X10 (Ref # 130)	130G0510	2
KEY-WOODRUFF (Ref # 510)	510A3200	1
STATOR (Ref # 21003)	21003-0048	1
ROTOR,I=4.1 (Ref # 21007)	21007-0070	1
ROTOR,I=3.6 (Ref # 21007A)	21007-0071	1
ROTOR,I=4.8 (Ref # 21007B)	21007-0072	1
NUT,FLANGED,10MM (Ref # 92015)	92015-1366	1