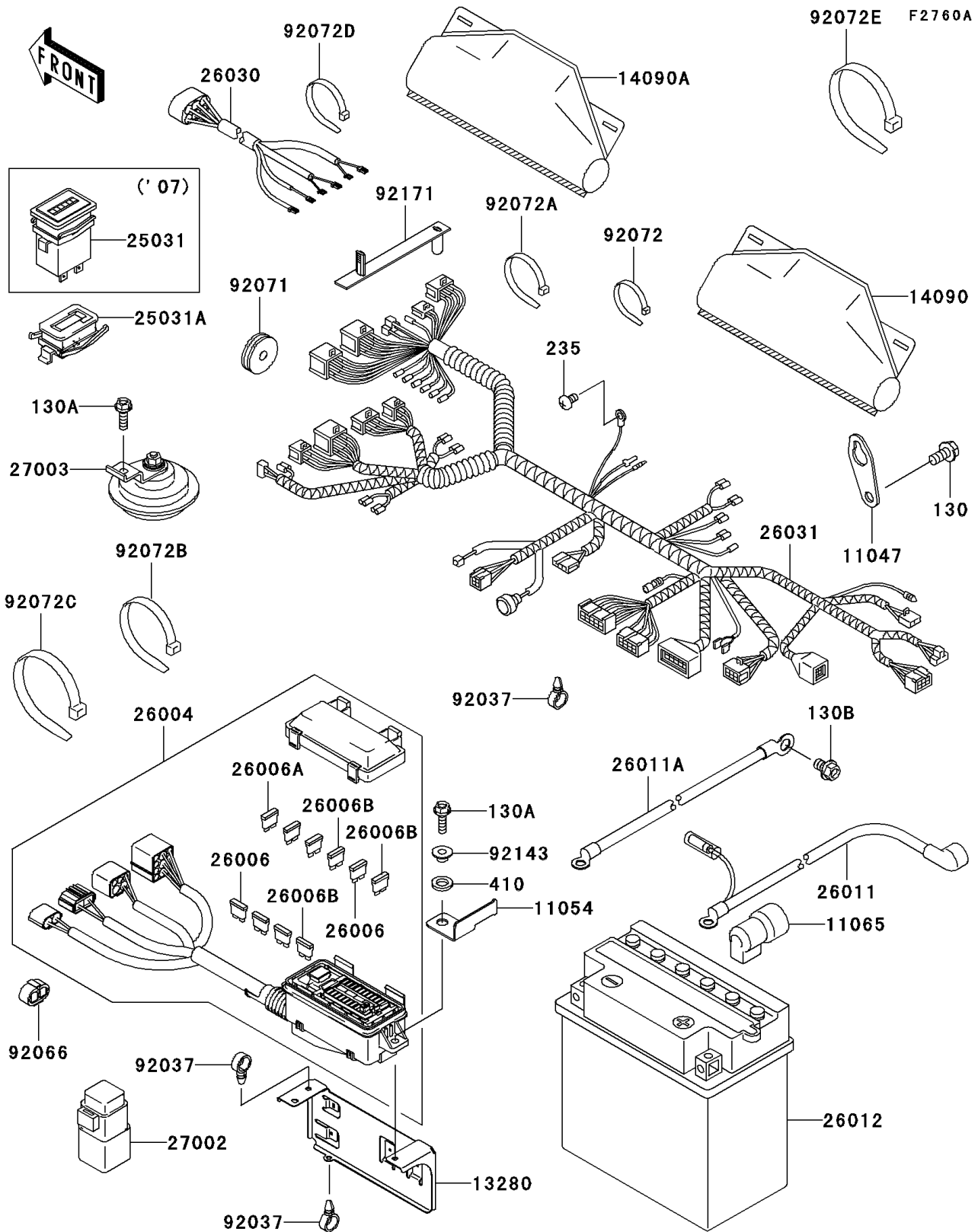


# Mule 3010 Trans4x4 Hardwoods Green HD

## PARTS DIAGRAM

### Chassis Electrical Equipment(K7F/K8F)



# Mule 3010 Trans4x4 Hardwoods Green HD



## PARTS LIST

Chassis Electrical Equipment(K7F/K8F)

**ITEM NAME**

**PART NUMBER**

**QUANTITY**

---