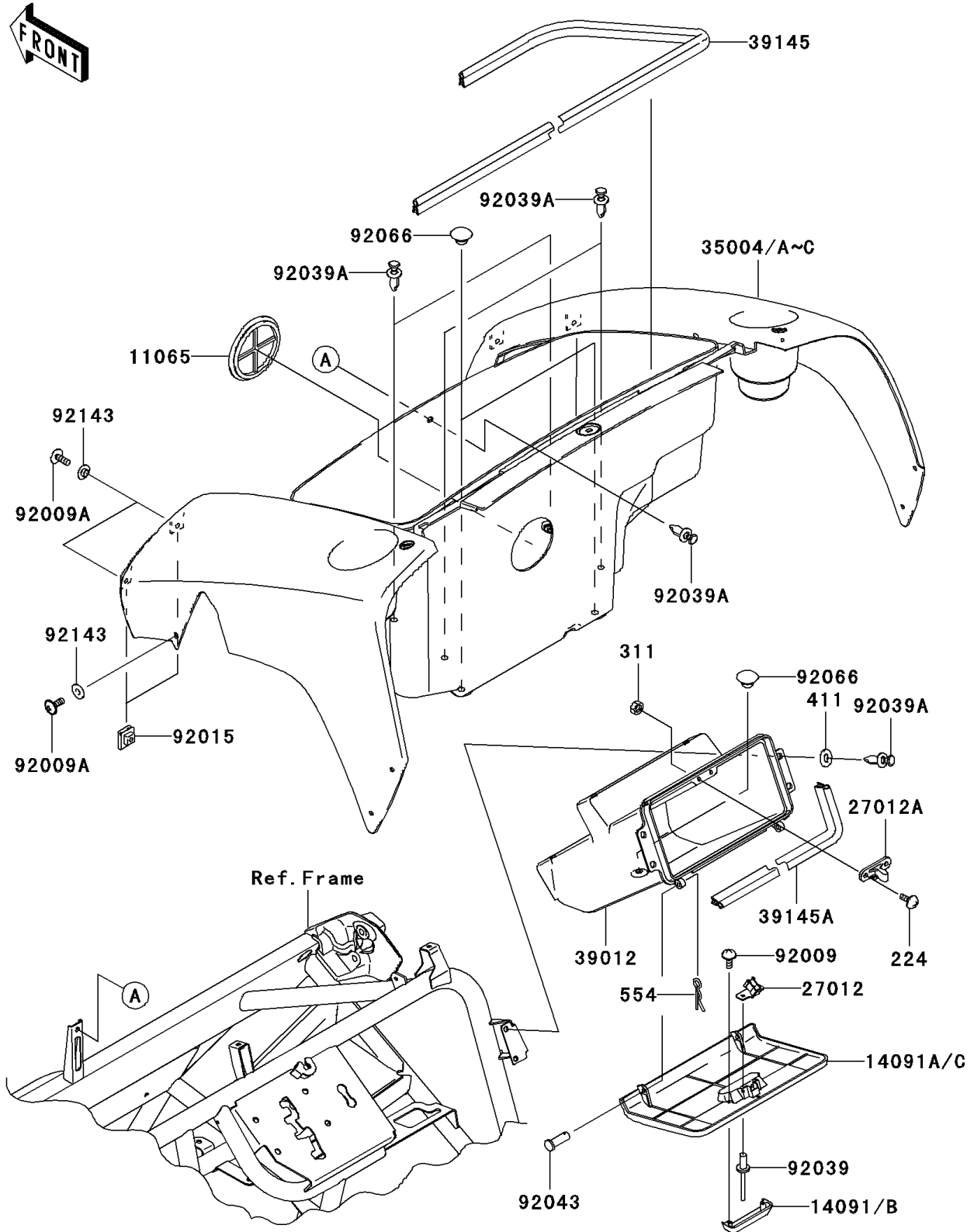


2008 Mule™ 610 4X4 PARTS DIAGRAM

Front Box

F2135



2008 Mule™ 610 4X4 PARTS LIST

Front Box

| ITEM NAME | PART NUMBER | QUANTITY |
|---------------------------------------------|----------------|----------|
| SCREW-PAN-WP-CROS,4X12 (Ref # 224) | 224AB0412 | 1 |
| NUT-HEX (Ref # 311) | 311AB0400 | 1 |
| WASHER-PLAIN (Ref # 411) | 411AA0800 | 1 |
| PIN-SNAP (Ref # 554) | 554DA0600 | 1 |
| CAP,F.BLACK (Ref # 11065) | 11065-1053-6Z | 1 |
| COVER,STORAGE GRIP,GRAY (Ref # 14091) | 14091-1228-284 | 1 |
| COVER,CONTROL PANEL,GRAY (Ref # 14091A) | 14091-1399-284 | 1 |
| HOOK (Ref # 27012) | 27012-1607 | 1 |
| HOOK (Ref # 27012A) | 27012-1612 | 1 |
| FENDER-FRONT,STORAGE,A.RED (Ref # 35004B) | 35004-0048-260 | 1 |
| FENDER-FRONT,STORAGE,W.GREEN (Ref # 35004C) | 35004-0048-286 | 1 |
| CASE-STORAGE,RH,GRAY (Ref # 39012) | 39012-1061-284 | 1 |
| TRIM-SEAL,L=1940 (Ref # 39145) | 39145-0007 | 1 |
| TRIM-SEAL,L=774 (Ref # 39145A) | 39145-1130 | 1 |
| SCREW,TAPPING,4X12 (Ref # 92009) | 92009-1444 | 1 |
| SCREW,6X16 (Ref # 92009A) | 92009-1621 | 1 |
| NUT,CLAMP,6MM (Ref # 92015) | 92015-1678 | 1 |
| RIVET (Ref # 92039) | 92039-1041 | 1 |
| RIVET (Ref # 92039A) | 92039-1229 | 1 |
| PIN,6X14.5 (Ref # 92043) | 92043-125 | 1 |
| PLUG (Ref # 92066) | 92066-1485 | 1 |
| COLLAR (Ref # 92143) | 92143-1087 | 1 |