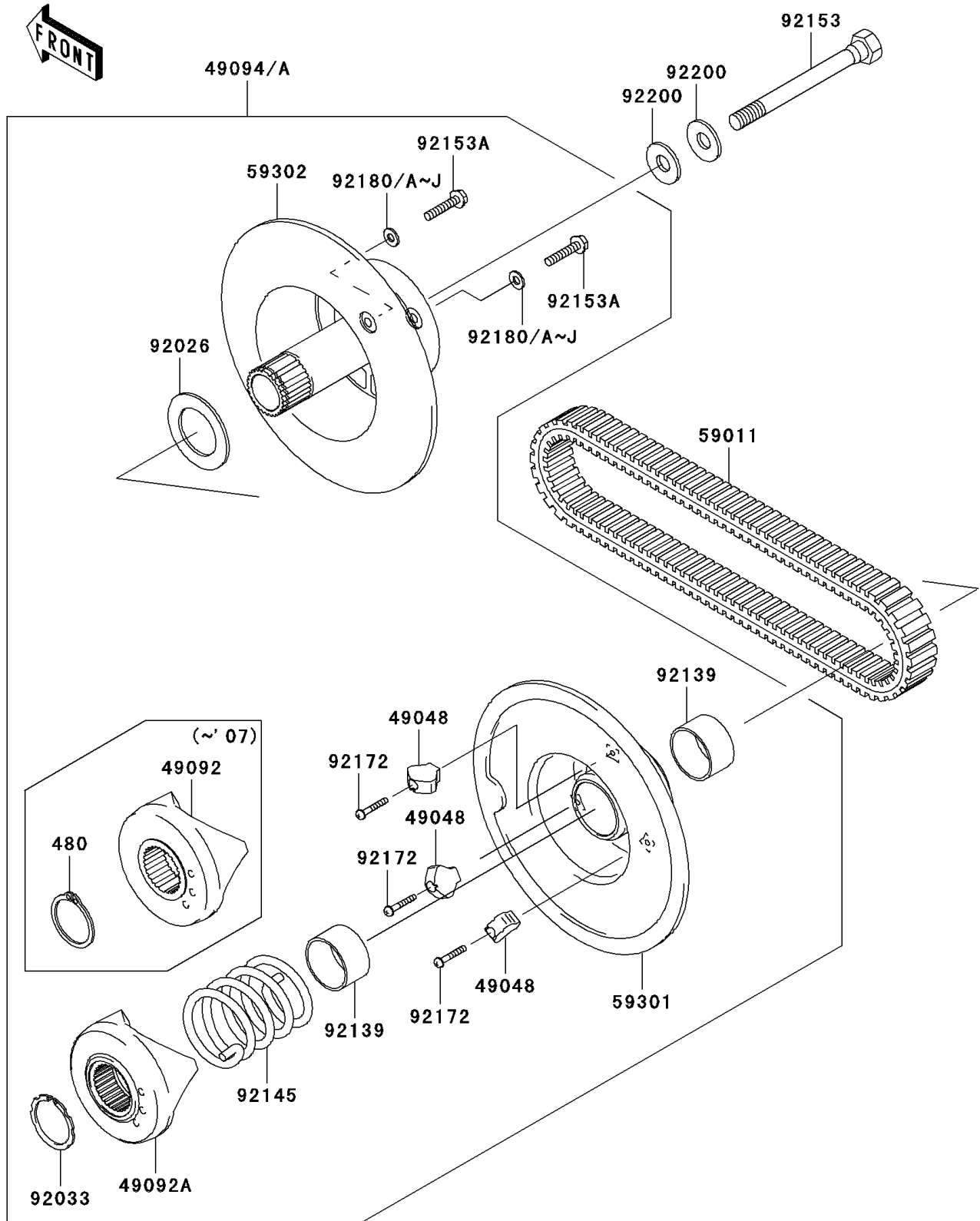


## 2008 Mule™ 600 PARTS DIAGRAM

Driven Converter/Drive Belt

E1392



## 2008 Mule™ 600 PARTS LIST

Driven Converter/Drive Belt

| ITEM NAME                            | PART NUMBER | QUANTITY |
|--------------------------------------|-------------|----------|
| SHOE (Ref # 49048)                   | 49048-0001  | 1        |
| RAMP (Ref # 49092A)                  | 49092-0005  | 1        |
| CONVERTER-ASSY-DRIVEN (Ref # 49094A) | 49094-0040  | 1        |
| BELT (Ref # 59011)                   | 59011-0011  | 1        |
| SHEAVE-MOVABLE (Ref # 59301)         | 59301-0002  | 1        |
| SHEAVE-COMP, FIXED (Ref # 59302)     | 59302-0028  | 1        |
| SPACER, 38X60X2.5 (Ref # 92026)      | 92026-0046  | 1        |
| RING-SNAP (Ref # 92033)              | 92033-0053  | 1        |
| BUSHING (Ref # 92139)                | 92139-0054  | 1        |
| SPRING (Ref # 92145)                 | 92145-0272  | 1        |
| BOLT, 12X121 (Ref # 92153)           | 92153-0593  | 1        |
| BOLT, 6X28 (Ref # 92153A)            | 92153-0833  | 1        |
| SCREW, 4X25 (Ref # 92172)            | 92172-0060  | 1        |
| SHIM, T=0.8 (Ref # 92180)            | 92180-0150  | 1        |
| SHIM, T=1.0 (Ref # 92180A)           | 92180-0151  | 1        |
| SHIM, T=1.2 (Ref # 92180B)           | 92180-0152  | 1        |
| SHIM, T=1.4 (Ref # 92180C)           | 92180-0153  | 1        |
| SHIM, T=1.6 (Ref # 92180D)           | 92180-0154  | 1        |
| SHIM, T=1.8 (Ref # 92180E)           | 92180-0155  | 1        |
| SHIM, T=2.0 (Ref # 92180F)           | 92180-0156  | 1        |
| SHIM, T=2.3 (Ref # 92180G)           | 92180-0157  | 1        |
| SHIM, T=2.5 (Ref # 92180H)           | 92180-0158  | 1        |
| SHIM, T=2.8 (Ref # 92180I)           | 92180-0159  | 1        |
| SHIM, T=3.2 (Ref # 92180J)           | 92180-0160  | 1        |
| WASHER (Ref # 92200)                 | 92200-0249  | 1        |