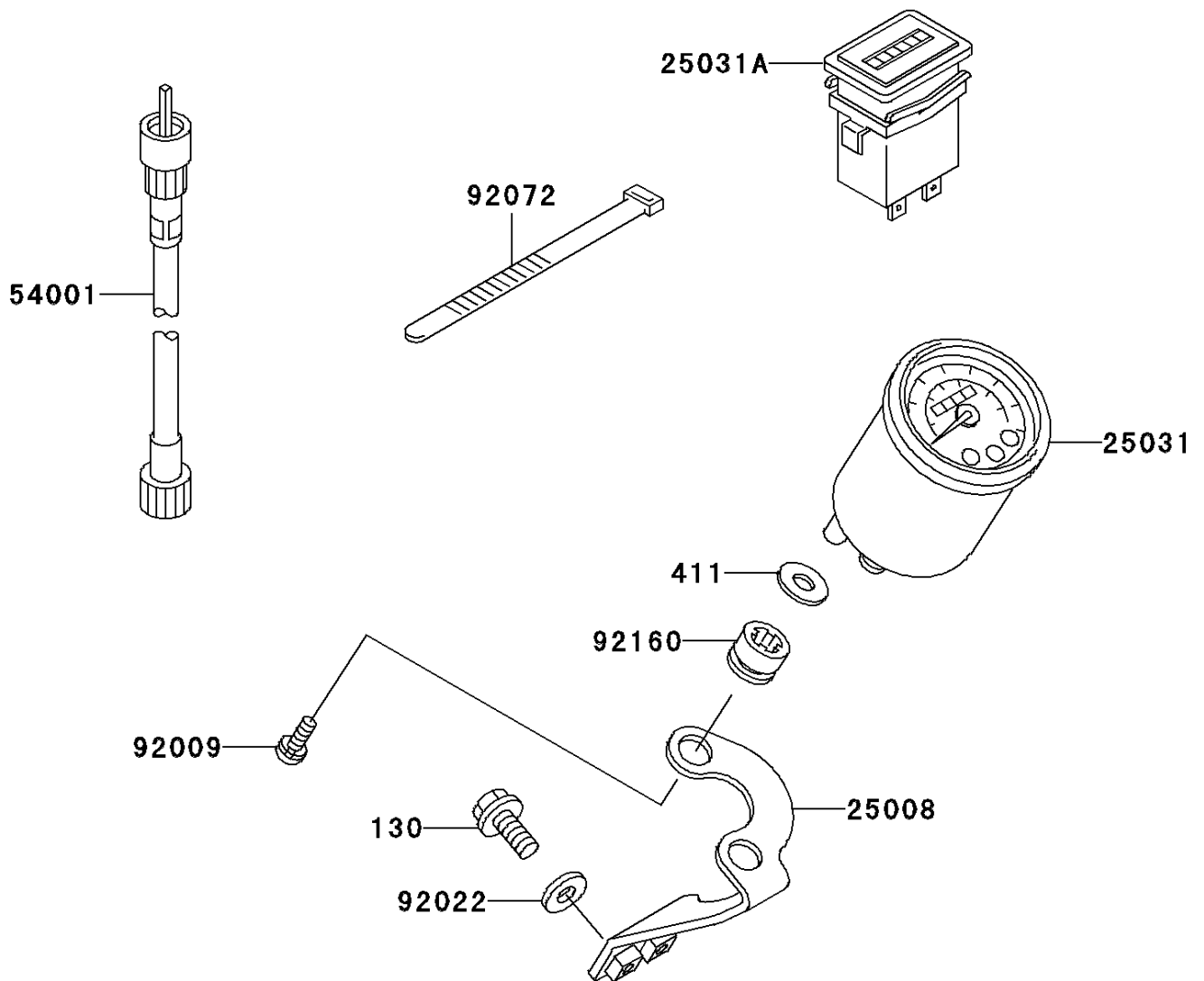


Mule 3010 Diesel 4X4

PARTS DIAGRAM

Meter(s)

F2530



Mule 3010 Diesel 4X4

PARTS LIST

Meter(s)

| ITEM NAME | PART NUMBER | QUANTITY |
|---------------------------------|-------------|----------|
| BOLT-FLANGED,6X14 (Ref # 130) | 130J0614 | 2 |
| WASHER-PLAIN,8MM (Ref # 411) | 411B0800 | 2 |
| BRACKET-METER (Ref # 25008) | 25008-1228 | 1 |
| METER-ASSY,MPH (Ref # 25031) | 25031-1190 | 1 |
| METER-ASSY,HOUR (Ref # 25031A) | 25031-7505 | 1 |
| CABLE-SPEEDOMETER (Ref # 54001) | 54001-1135 | 1 |
| SCREW,5X12 (Ref # 92009) | 92009-3740 | 2 |
| WASHER,6.5X16X1.0 (Ref # 92022) | 92022-1093 | 2 |
| BAND,L=188 (Ref # 92072) | 92072-1239 | 1 |
| DAMPER (Ref # 92160) | 92160-1461 | 2 |