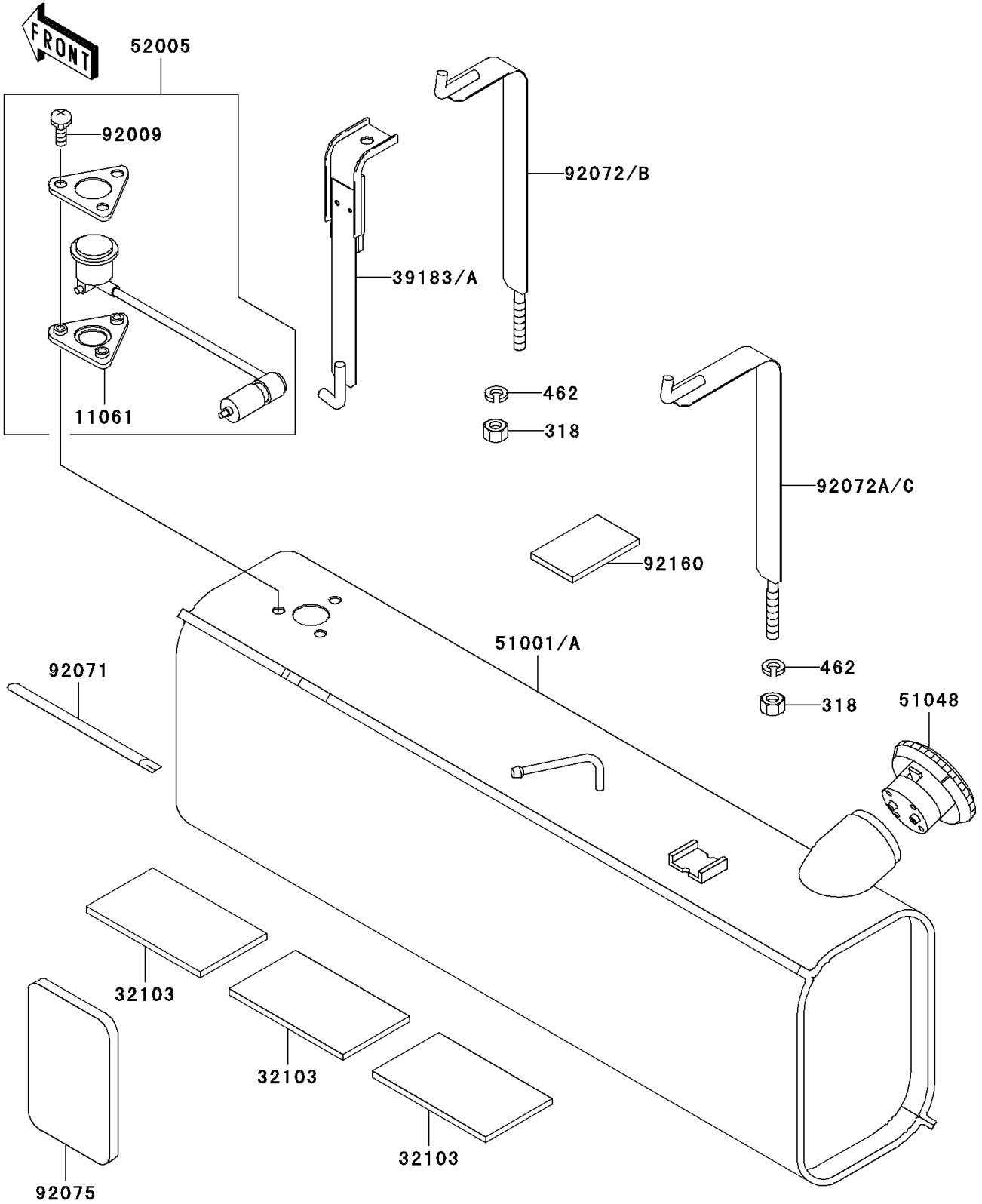


2008 Mule 3010 4x4 Hardwoods Green HD PARTS DIAGRAM

Fuel Tank

F2410



2008 Mule 3010 4x4 Hardwoods Green HD PARTS LIST

Fuel Tank

| ITEM NAME | PART NUMBER | QUANTITY |
|----------------------------------|-------------|----------|
| NUT-HEX-SMALL (Ref # 318) | 318C0800 | 2 |
| WASHER-SPRING,8MM (Ref # 462) | 462L0800 | 2 |
| GASKET,FUEL GAUGE (Ref # 11061) | 11061-0120 | 1 |
| DAMPER,BATTERY (Ref # 32103) | 32103-027 | 3 |
| BAND-ASSY (Ref # 39183A) | 39183-7501 | 1 |
| TANK-COMP-FUEL (Ref # 51001A) | 51001-7510 | 1 |
| CAP-ASSY-TANK,FUEL (Ref # 51048) | 51048-0005 | 1 |
| GAUGE,FUEL (Ref # 52005) | 52005-0013 | 1 |
| SCREW,6X14 (Ref # 92009) | 92009-1541 | 3 |
| GROMMET (Ref # 92071) | 92071-1198 | 1 |
| BAND,FUEL TANK (Ref # 92072B) | 92072-7503 | 1 |
| BAND,FUEL TANK (Ref # 92072C) | 92072-7504 | 1 |
| DAMPER (Ref # 92075) | 92075-3759 | 1 |
| DAMPER (Ref # 92160) | 92160-1102 | 1 |