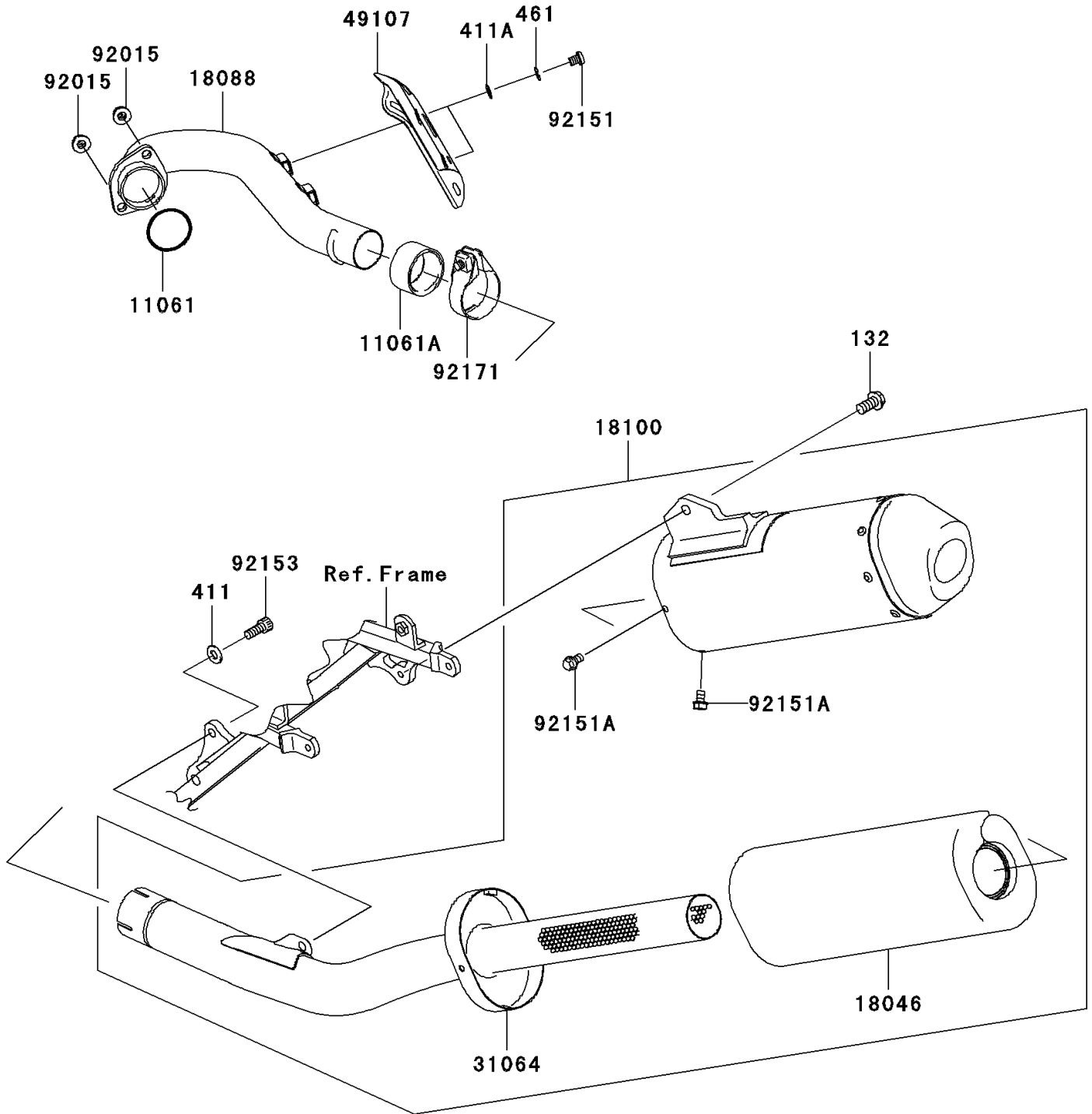


2008 KX™ 250F PARTS DIAGRAM

Muffler(s)

E1140



2008 KX™ 250F PARTS LIST

Muffler(s)

| ITEM NAME | PART NUMBER | QUANTITY |
|---------------------------------------|-------------|----------|
| BOLT-FLANGED-SMALL,8X18 (Ref # 132) | 132BB0818 | 1 |
| WASHER-PLAIN,8.5X18X1.6 (Ref # 411) | 411AB0800 | 1 |
| WASHER-PLAIN,6MM (Ref # 411A) | 411S0600 | 2 |
| WASHER-SPRING,6MM (Ref # 461) | 461S0600 | 2 |
| GASKET (Ref # 11061) | 11061-0027 | 1 |
| GASKET (Ref # 11061A) | 11061-0101 | 1 |
| WOOL (Ref # 18046) | 18046-0042 | 1 |
| PIPE-EXHAUST (Ref # 18088) | 18088-0258 | 1 |
| BODY-ASSY-MUFFLER (Ref # 18100) | 18100-0074 | 1 |
| PIPE-COMP (Ref # 31064) | 31064-0124 | 1 |
| COVER-EXHAUST PIPE (Ref # 49107) | 49107-0126 | 1 |
| NUT,8MM (Ref # 92015) | 92015-1402 | 2 |
| BOLT,SOCKET,6X10 (Ref # 92151) | 92151-1449 | 2 |
| BOLT,FLANGED,6X10 (Ref # 92151A) | 92151-1822 | 4 |
| BOLT,FLANGED-SMALL,8X18 (Ref # 92153) | 92153-1963 | 1 |
| CLAMP (Ref # 92171) | 92171-0491 | 1 |