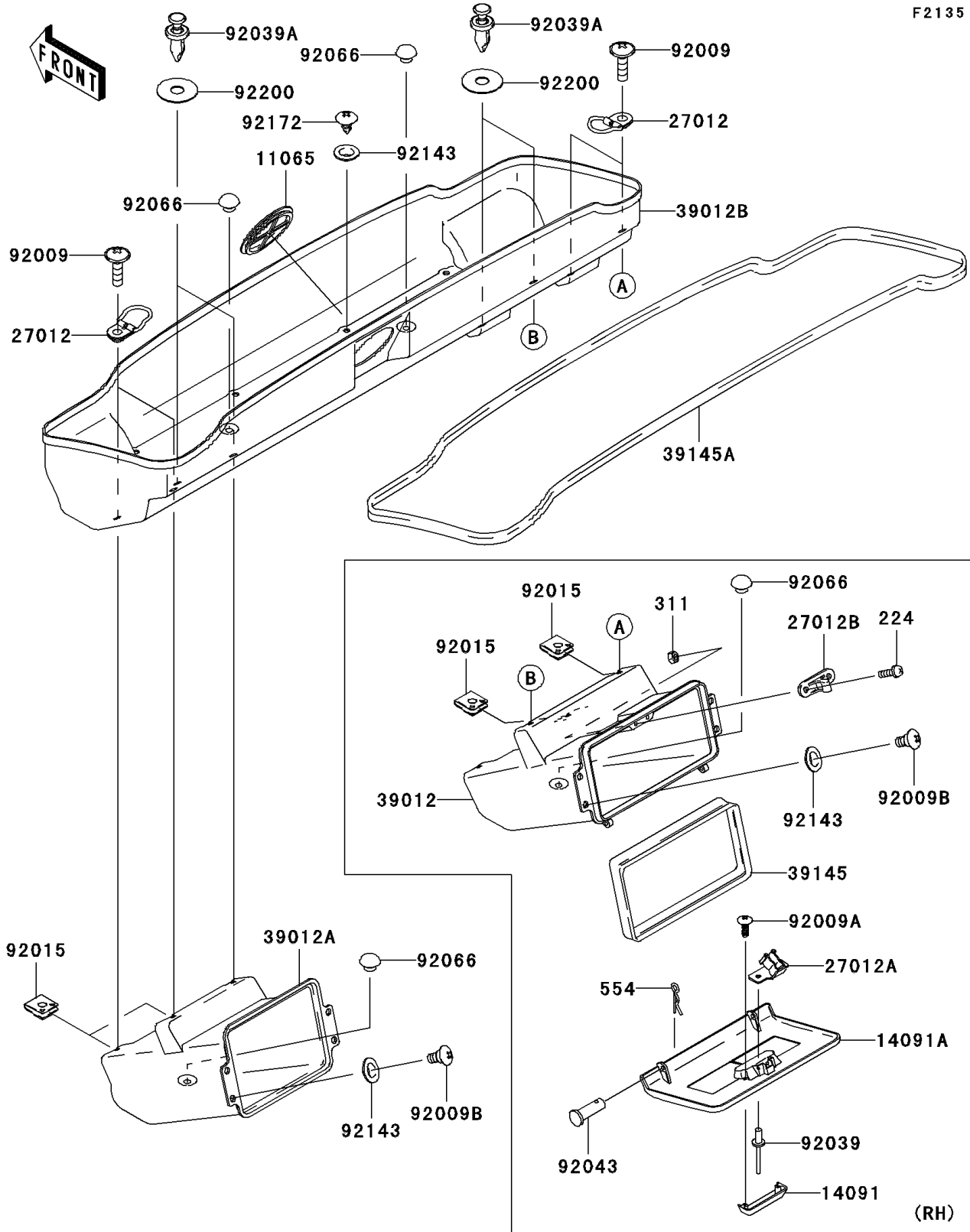


# 2008 Mule 3010 4x4 Hardwoods Green HD PARTS DIAGRAM

Front Box

F2135



## 2008 Mule 3010 4x4 Hardwoods Green HD PARTS LIST

### Front Box

ITEM NAME	PART NUMBER	QUANTITY
SCREW-PAN-WP-CROS,4X12 (Ref # 224)	224AB0412	2
NUT-HEX (Ref # 311)	311C0400	2
PIN-SNAP (Ref # 554)	554A0600	2
CAP,F.BLACK (Ref # 11065)	11065-1053-6Z	1
COVER,STORAGE GRIP,S.M.BROWN (Ref # 14091)	14091-1228-275	1
COVER,CONTROL PANEL,C.H.GREEN (Ref # 14091A)	14091-7544-396	1
HOOK (Ref # 27012)	27012-1577	4
HOOK (Ref # 27012A)	27012-1607	1
HOOK (Ref # 27012B)	27012-1612	1
CASE-STORAGE,RH,S.M.BROWN (Ref # 39012)	39012-1061-275	1
CASE-STORAGE,LH,S.M.BROWN (Ref # 39012A)	39012-1062-275	1
CASE-STORAGE,CNT (Ref # 39012B)	39012-1066	1
TRIM-SEAL,L=774 (Ref # 39145)	39145-1130	1
TRIM-SEAL,L=2805 (Ref # 39145A)	39145-1132	1
SCREW,6X22,BLACK (Ref # 92009)	92009-1256	4
SCREW,TAPPING,4X12 (Ref # 92009A)	92009-1444	2
SCREW,6X16 (Ref # 92009B)	92009-1621	8
NUT,CLAMP,6MM (Ref # 92015)	92015-1678	4
RIVET (Ref # 92039)	92039-1041	2
RIVET (Ref # 92039A)	92039-1229	4
PIN,6X14.5 (Ref # 92043)	92043-125	2
PLUG (Ref # 92066)	92066-1485	4
COLLAR (Ref # 92143)	92143-1087	12
SCREW,TAPPING,6X12 (Ref # 92172)	92172-0003	4
WASHER,8.5X26X0.8 (Ref # 92200)	92200-1567	4