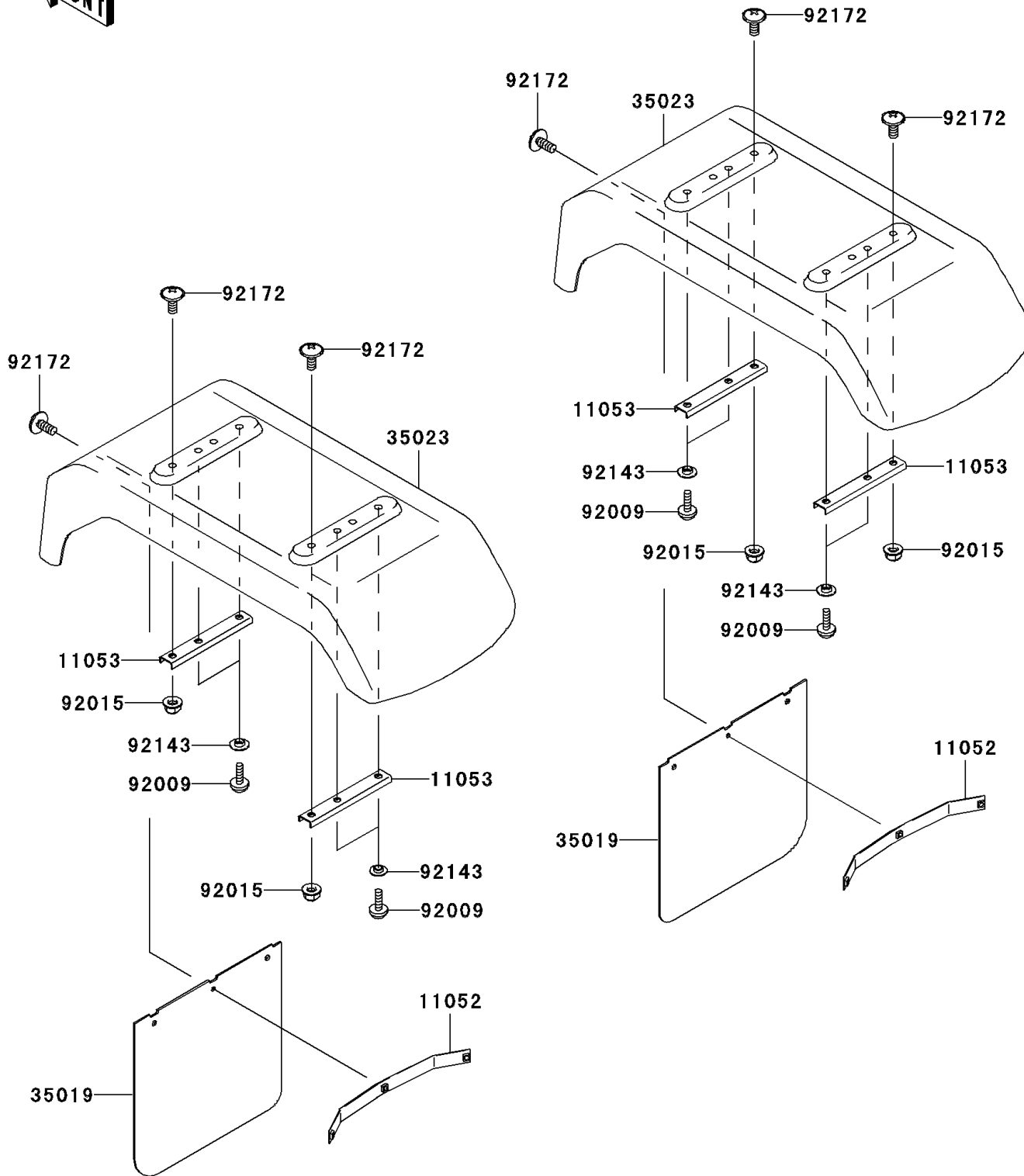


## Mule 3010 Trans4x4 Hardwoods Green HD PARTS DIAGRAM

Rear Fender(s)

F2172



## Mule 3010 Trans4x4 Hardwoods Green HD PARTS LIST

Rear Fender(s)

ITEM NAME	PART NUMBER	QUANTITY
BRACKET,REAR FLAP (Ref # 11052)	11052-1313	1
BRACKET,RR FENDER (Ref # 11053)	11053-7558	1
FLAP,REAR FENDER (Ref # 35019)	35019-1244	1
FENDER-REAR (Ref # 35023)	35023-1557	1
SCREW,TAPPING,6X16 (Ref # 92009)	92009-1166	1
NUT,LOCK,FLANGED,6MM (Ref # 92015)	92015-1675	1
COLLAR (Ref # 92143)	92143-1087	1
SCREW,6X14 (Ref # 92172)	92172-0004	1