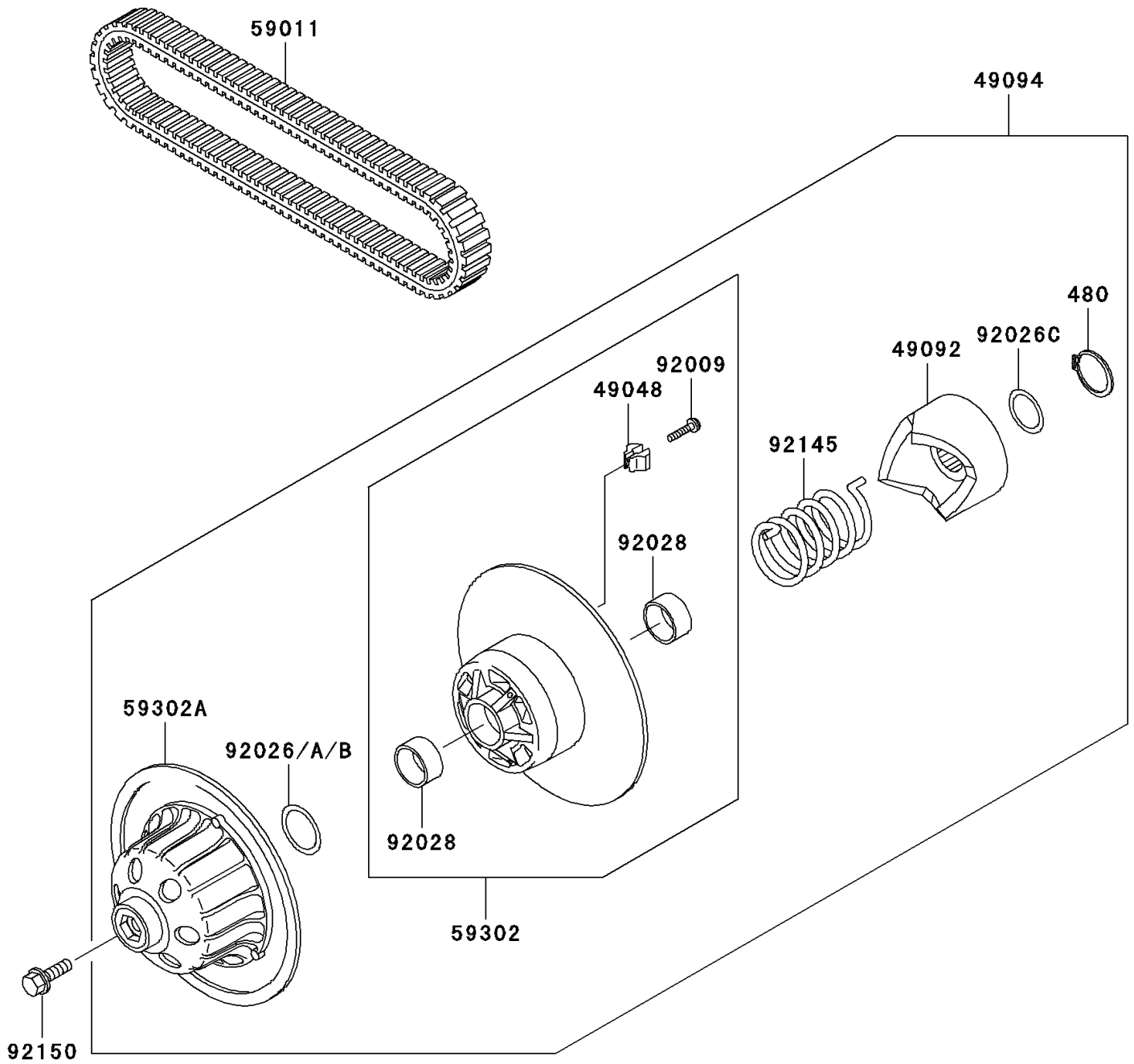


2005 Mule 3010 Trans4x4 Hardwoods Green HD PARTS DIAGRAM

Driven Converter/Drive Belt

E1392



2005 Mule 3010 Trans4x4 Hardwoods Green HD PARTS LIST

Driven Converter/Drive Belt

ITEM NAME	PART NUMBER	QUANTITY
CIRCLIP (Ref # 480)	480J3400	1
SHOE (Ref # 49048)	49048-1060	1
RAMP (Ref # 49092)	49092-1068	1
CONVERTER-ASSY-DRIVEN (Ref # 49094)	49094-1084	1
BELT,CONVERTER (Ref # 59011)	59011-1077	1
SHEAVE-COMP,MOVABLE (Ref # 59302)	59302-1072	1
SHEAVE-COMP (Ref # 59302A)	59302-1092	1
SCREW,SHOE (Ref # 92009)	92009-1849	1
SPACER,39X50X0.50 (Ref # 92026)	92026-1507	1
SPACER,39X50X0.60 (Ref # 92026A)	92026-1508	1
SPACER,39X50X0.80 (Ref # 92026B)	92026-1510	1
SPACER,34X44X0.80 (Ref # 92026C)	92026-1521	1
BUSHING (Ref # 92028)	92028-1864	1
SPRING (Ref # 92145)	92145-1404	1
BOLT,12X35 (Ref # 92150)	92150-1009	1