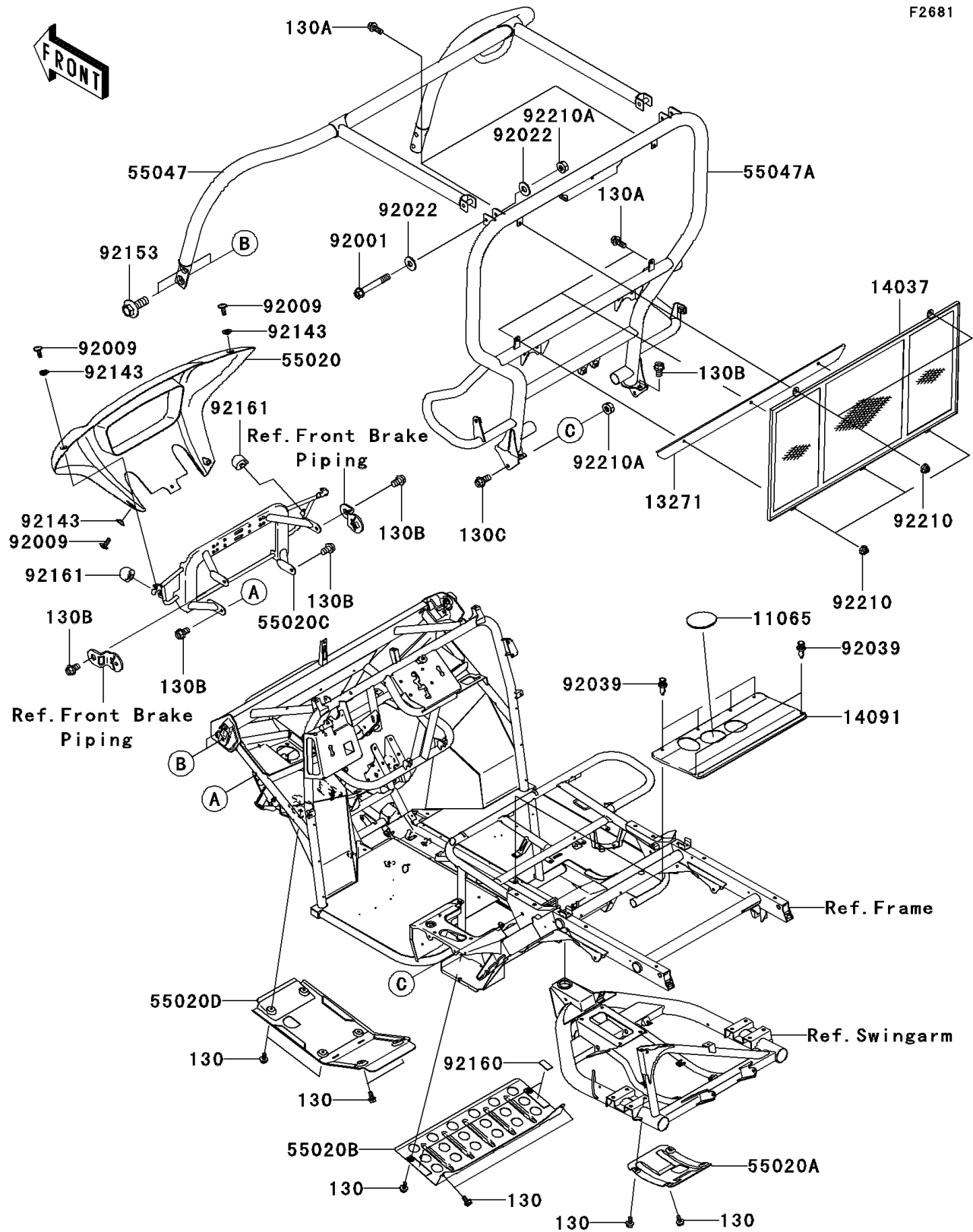


Mule 610 4x4 Hardwoods Green HD PARTS DIAGRAM

Guards/Cab Frame

F2681



Mule 610 4x4 Hardwoods Green HD PARTS LIST

Guards/Cab Frame

ITEM NAME	PART NUMBER	QUANTITY
BOLT-FLANGED,6X12 (Ref # 130)	130J0612	14
BOLT-FLANGED,8X20 (Ref # 130A)	130J0820	5
BOLT-FLANGED,10X16 (Ref # 130B)	130J1016	8
BOLT-FLANGED,10X20 (Ref # 130C)	130J1020	2
CAP,F.BLACK (Ref # 11065)	11065-1053-6Z	1
PLATE,SCREEN,BLACK (Ref # 13271)	13271-0560-10	1
SCREEN,BLACK (Ref # 14037)	14037-0035-10	1
COVER (Ref # 14091)	14091-0355	1
GUARD,FRONT BUMPER,BLACK (Ref # 55020)	55020-0090-283	1
GUARD,DIFF (Ref # 55020A)	55020-0141	1
GUARD (Ref # 55020B)	55020-0143	1
GUARD,FRONT (Ref # 55020C)	55020-0163	1
GUARD,FRONT DIFF (Ref # 55020D)	55020-0165	1
BAR-COMP,FR,BLACK (Ref # 55047)	55047-0006-10	1
BAR-COMP,RR,BLACK (Ref # 55047A)	55047-0008-10	1
BOLT,FLANGED,10X70 (Ref # 92001)	92001-1618	2
SCREW,6X16 (Ref # 92009)	92009-1621	5
WASHER,10.5X26X2.3,BLACK (Ref # 92022)	92022-1396	4
RIVET (Ref # 92039)	92039-1229	6
COLLAR (Ref # 92143)	92143-1087	5
BOLT,FLANGED,14X36 (Ref # 92153)	92153-1282	4
DAMPER (Ref # 92160)	92160-1102	2
DAMPER (Ref # 92161)	92161-0157	2
NUT,FLANGED,LOCK,8MM (Ref # 92210)	92210-0005	5
NUT,LOCK,10MM (Ref # 92210A)	92210-1204	4