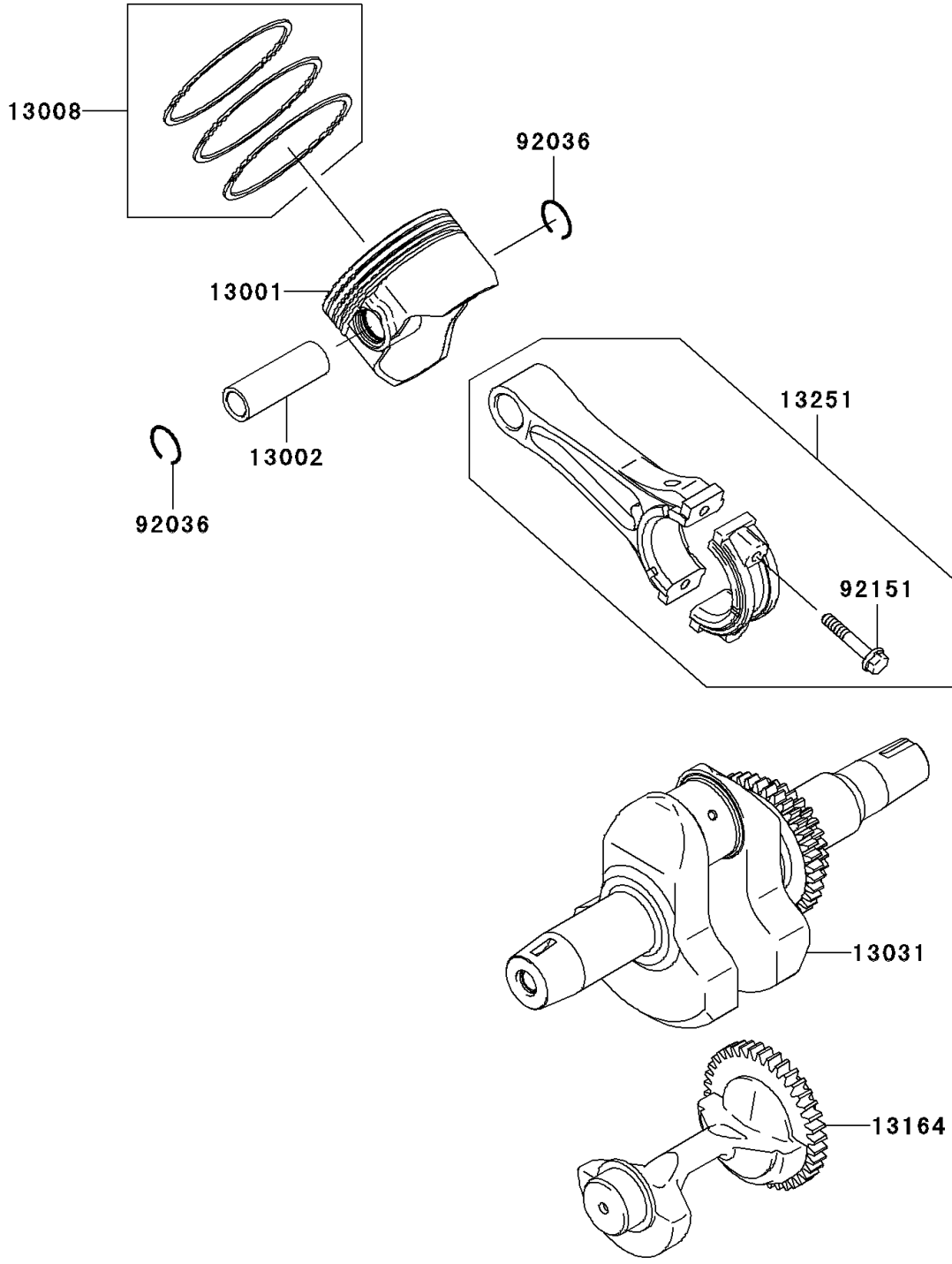


# Mule 610 4x4 Hardwoods Green HD PARTS DIAGRAM

Crankshaft/Piston(s)

E1320



# Mule 610 4x4 Hardwoods Green HD PARTS LIST

Crankshaft/Piston(s)

ITEM NAME	PART NUMBER	QUANTITY
-----------	-------------	----------