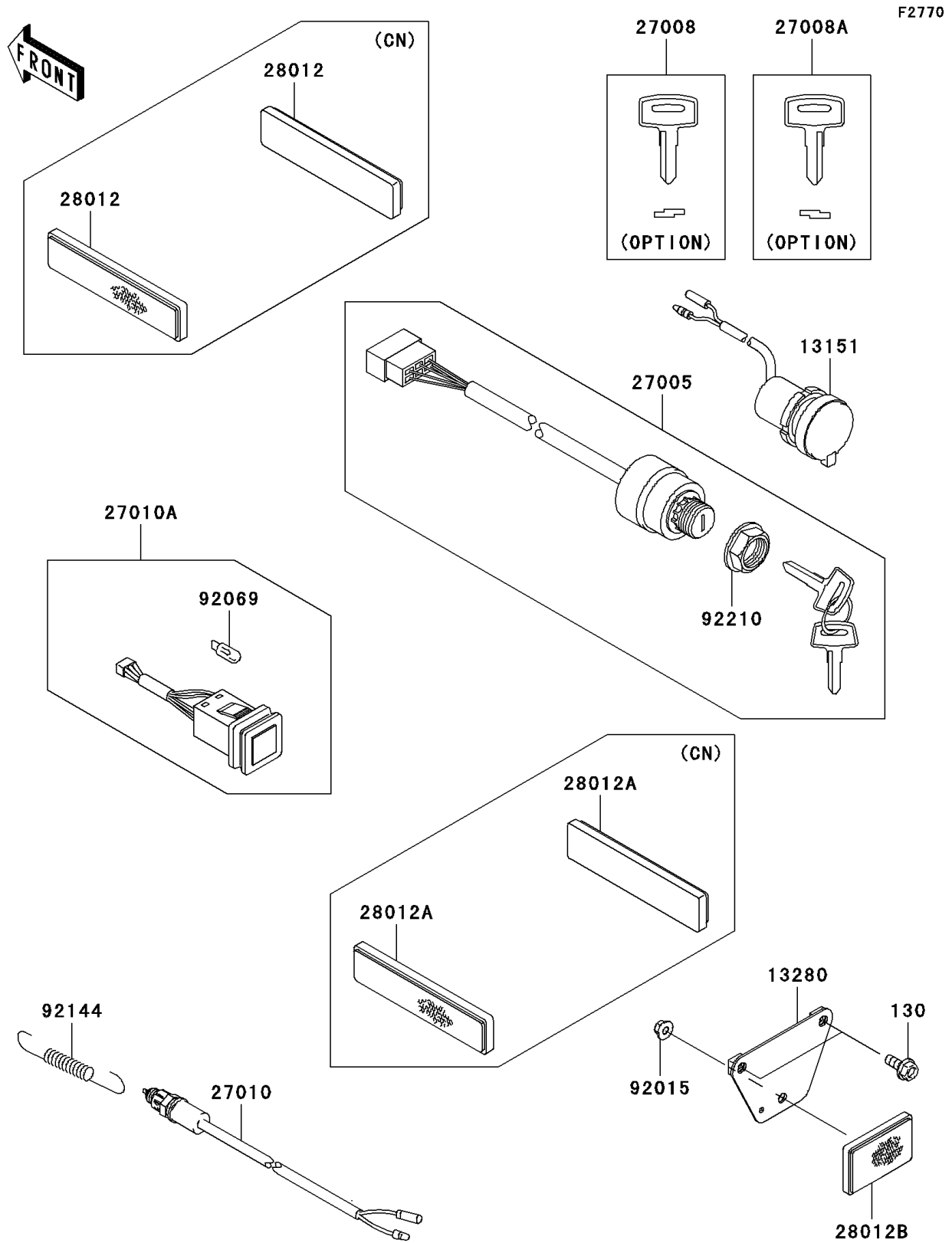


Mule 610 4x4 PARTS DIAGRAM

Ignition Switch



Mule 610 4x4 PARTS LIST

Ignition Switch

ITEM NAME	PART NUMBER	QUANTITY
BOLT-FLANGED,6X14 (Ref # 130)	130J0614	2
SWITCH-COMP,D.C.TERMINAL (Ref # 13151)	13151-0003	1
HOLDER,REFLECTOR (Ref # 13280)	13280-0146	1
SWITCH-ASSY-IGNITION (Ref # 27005)	27005-0011	1
KEY-LOCK,BLANK (Ref # 27008)	27008-1153	1
KEY-LOCK,BLANK (Ref # 27008A)	27008-1157	1
SWITCH,REAR BRAKE (Ref # 27010)	27010-1475	1
SWITCH,HEAD LAMP (Ref # 27010A)	27010-1498	1
REFLECTOR-REFLEX (Ref # 28012B)	28012-1088	1
NUT,FLANGED,5MM (Ref # 92015)	92015-1259	1
BULB,12V 1.7W,T6.5 (Ref # 92069)	92069-1118	1
SPRING,REAR BRAKE SWITCH (Ref # 92144)	92144-1143	1
NUT,IGNITION SWITCH (Ref # 92210)	92210-1264	1
REFLECTOR-REFLEX,FR (Ref # 28012)	28012-1086	2
REFLECTOR-REFLEX,RR (Ref # 28012A)	28012-1087	2