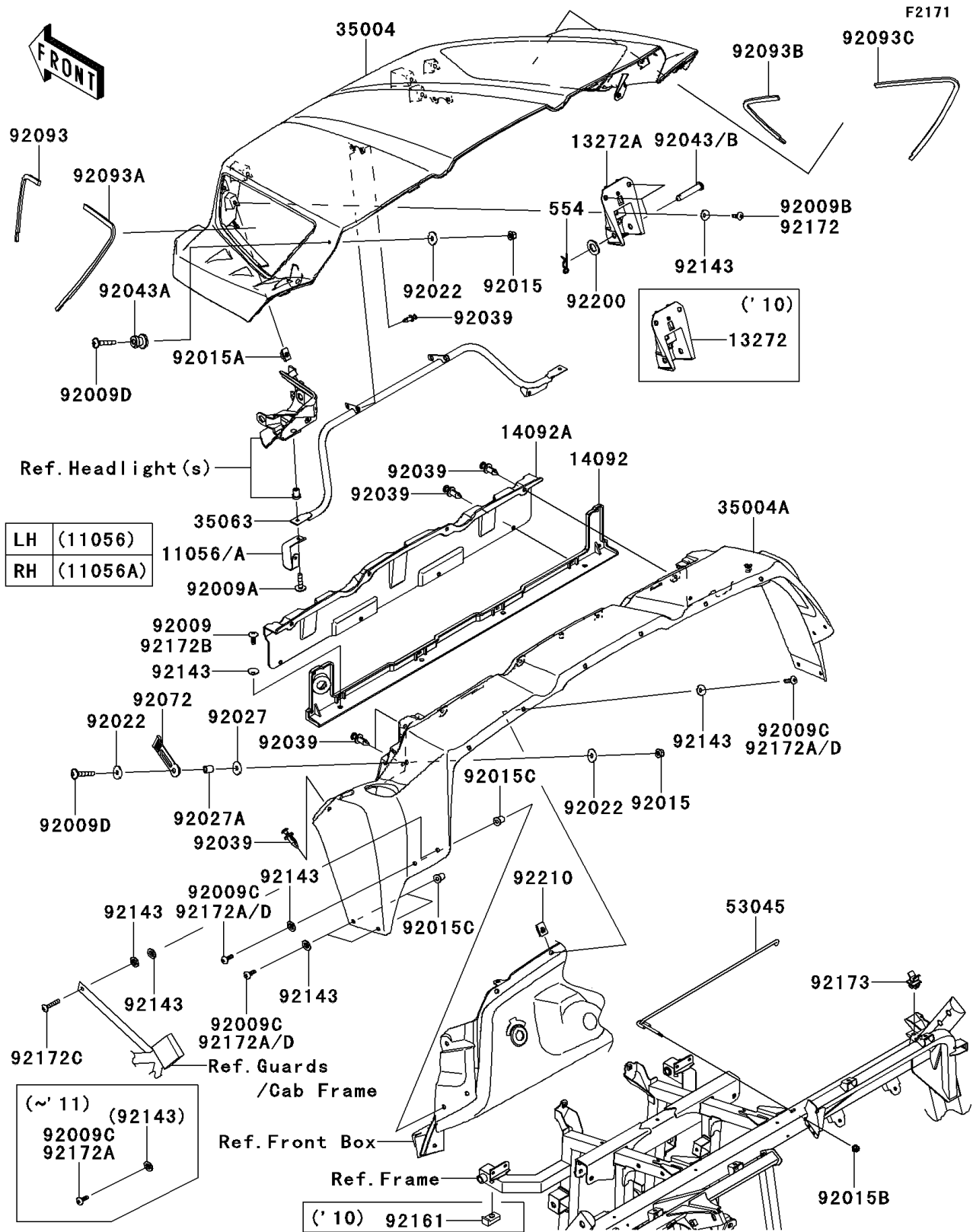


2010 Teryx[®] 750 FI 4x4 LE PARTS DIAGRAM

Front Fender(s)



2010 Teryx® 750 FI 4x4 LE PARTS LIST

Front Fender(s)

| ITEM NAME | PART NUMBER | QUANTITY |
|-------------------------------------------|----------------|----------|
| BRACKET,LH (Ref # 11056) | 11056-0129 | 1 |
| BRACKET,RH (Ref # 11056A) | 11056-0130 | 1 |
| PLATE (Ref # 13272) | 13272-0849 | 1 |
| COVER,BASE PLATE (Ref # 14092) | 14092-0059 | 1 |
| COVER,CHECK PLATE (Ref # 14092A) | 14092-0060 | 1 |
| FENDER-FRONT,FR,CAMOUFLAGE (Ref # 35004) | 35004-0134-16P | 1 |
| FENDER-FRONT,RR,CAMOUFLAGE (Ref # 35004A) | 35004-0143-16P | 1 |
| STAY,HEAD LAMP (Ref # 35063) | 35063-0677 | 1 |
| HOOK-ASSY (Ref # 53045) | 53045-0018 | 1 |
| SCREW,TAPPING,6X16 (Ref # 92009) | 92009-1166 | 1 |
| SCREW,6X25 (Ref # 92009A) | 92009-1465 | 1 |
| SCREW,5X16,BLACK (Ref # 92009B) | 92009-1654 | 1 |
| SCREW,5X20,BLACK (Ref # 92009C) | 92009-1656 | 1 |
| SCREW,6X35 (Ref # 92009D) | 92009-1672 | 1 |
| NUT,LOCK,FLANGED,6MM (Ref # 92015) | 92015-1339 | 1 |
| NUT,5MM (Ref # 92015A) | 92015-1627 | 1 |
| NUT,LOCK,FLANGED,5MM (Ref # 92015B) | 92015-1752 | 1 |
| NUT,WELL,5MM (Ref # 92015C) | 92015-1757 | 1 |
| WASHER,6.5X20X1.6,WHITE (Ref # 92022) | 92022-193 | 1 |
| COLLAR,L=5.1 (Ref # 92027) | 92027-1260 | 1 |
| COLLAR,6.8X10X12 (Ref # 92027A) | 92027-162 | 1 |
| RIVET (Ref # 92039) | 92039-1229 | 1 |
| PIN,12.4X72.4 (Ref # 92043) | 92043-0168 | 1 |
| PIN (Ref # 92043A) | 92043-0197 | 1 |
| BAND (Ref # 92072) | 92072-0144 | 1 |
| SEAL,FR,LH (Ref # 92093) | 92093-0168 | 1 |
| SEAL,RR,LH (Ref # 92093A) | 92093-0169 | 1 |
| SEAL,FR,RH (Ref # 92093B) | 92093-0170 | 1 |
| SEAL,RR,RH (Ref # 92093C) | 92093-0171 | 1 |

2010 Teryx® 750 FI 4x4 LE PARTS LIST

Front Fender(s)

| ITEM NAME | PART NUMBER | QUANTITY |
|------------------------------|-------------|----------|
| COLLAR (Ref # 92143) | 92143-1087 | 1 |
| DAMPER (Ref # 92161) | 92161-0861 | 1 |
| PIN-SNAP,12MM (Ref # 554) | 554DA1200 | 1 |
| CLAMP (Ref # 92173) | 92173-0106 | 1 |
| WASHER,13X24X2 (Ref # 92200) | 92200-0451 | 1 |
| NUT,5MM (Ref # 92210) | 92210-0499 | 1 |