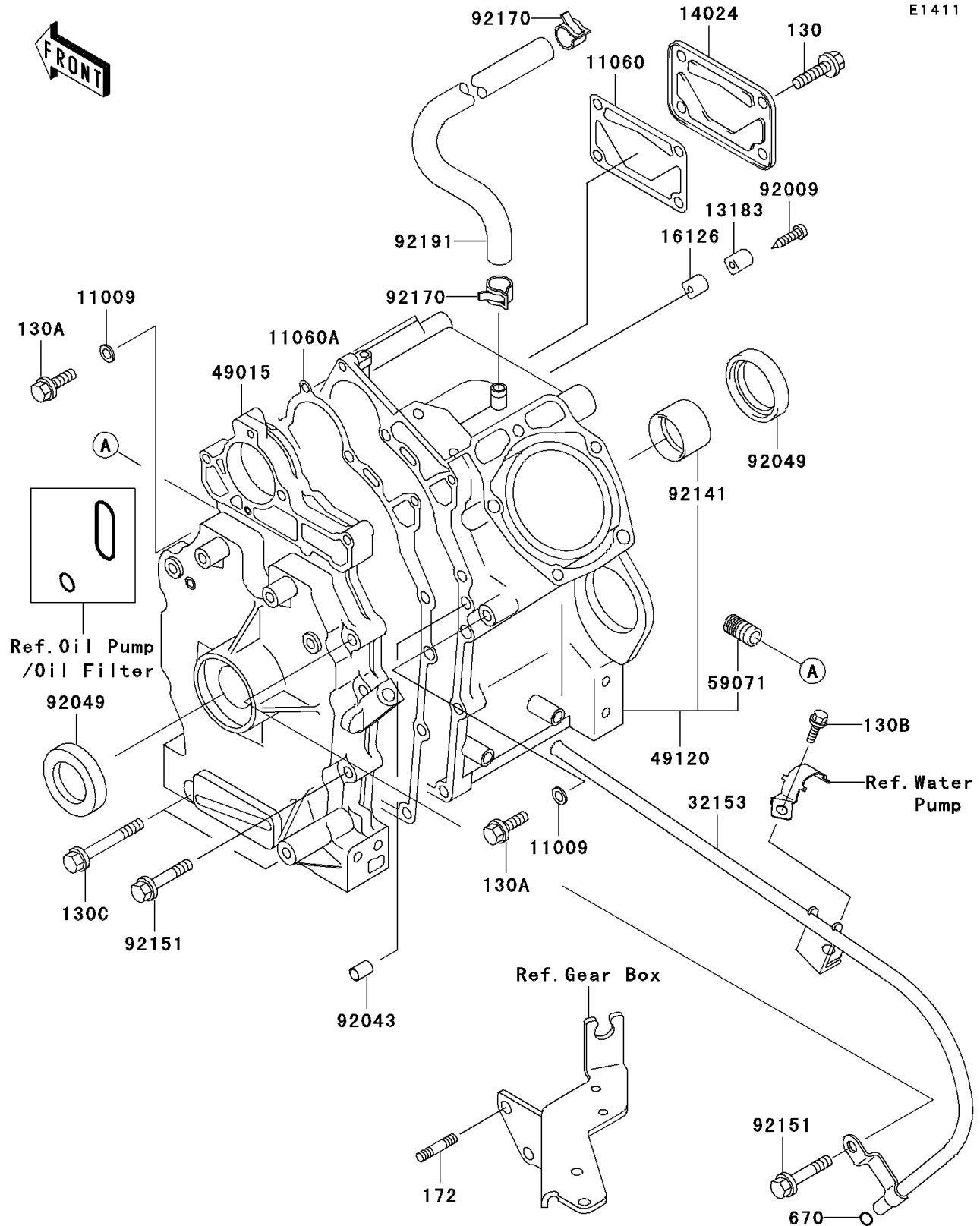


Mule 3010 4x4 Hardwoods Green HD

PARTS DIAGRAM

Crankcase



Mule 3010 4x4 Hardwoods Green HD

Kawasaki
Let the Good Times Roll®

PARTS LIST

Crankcase

ITEM NAME	PART NUMBER	QUANTITY
BOLT-FLANGED,8X16 (Ref # 130)	130B0816	4
BOLT-FLANGED,8X12,BLACK (Ref # 130A)	130C0812	2
BOLT-FLANGED,8X16 (Ref # 130B)	130G0816	1
BOLT-FLANGED (Ref # 130C)	130T0860	2
BOLT-STUD,8X25 (Ref # 172)	172G0825	2
O RING,10MM (Ref # 670)	670B2010	1
GASKET (Ref # 11009)	11009-3028	2
GASKET (Ref # 11060)	11060-2089	1
GASKET,CRANKCASE COVER (Ref # 11060A)	11060-2449	1
PLATE (Ref # 13183)	13183-2120	1
COVER (Ref # 14024)	14024-2292	1
VALVE (Ref # 16126)	16126-2146	1
PIPE,F.BLACK (Ref # 32153)	32153-2080-9H	1
COVER-CRANKCASE (Ref # 49015)	49015-6193	1
CRANKCASE-COMP (Ref # 49120)	49120-6078	1
JOINT (Ref # 59071)	59071-2079	1
SCREW (Ref # 92009)	92009-2308	1
PIN,DOWEL,10X14 (Ref # 92043)	92043-1037	2
SEAL-OIL (Ref # 92049)	92049-2110	2
BEARING-PLANE (Ref # 92141)	92141-2110	1
BOLT (Ref # 92151)	92151-2123	6
CLAMP (Ref # 92170)	92170-3714	2
TUBE (Ref # 92191)	92191-2107	1