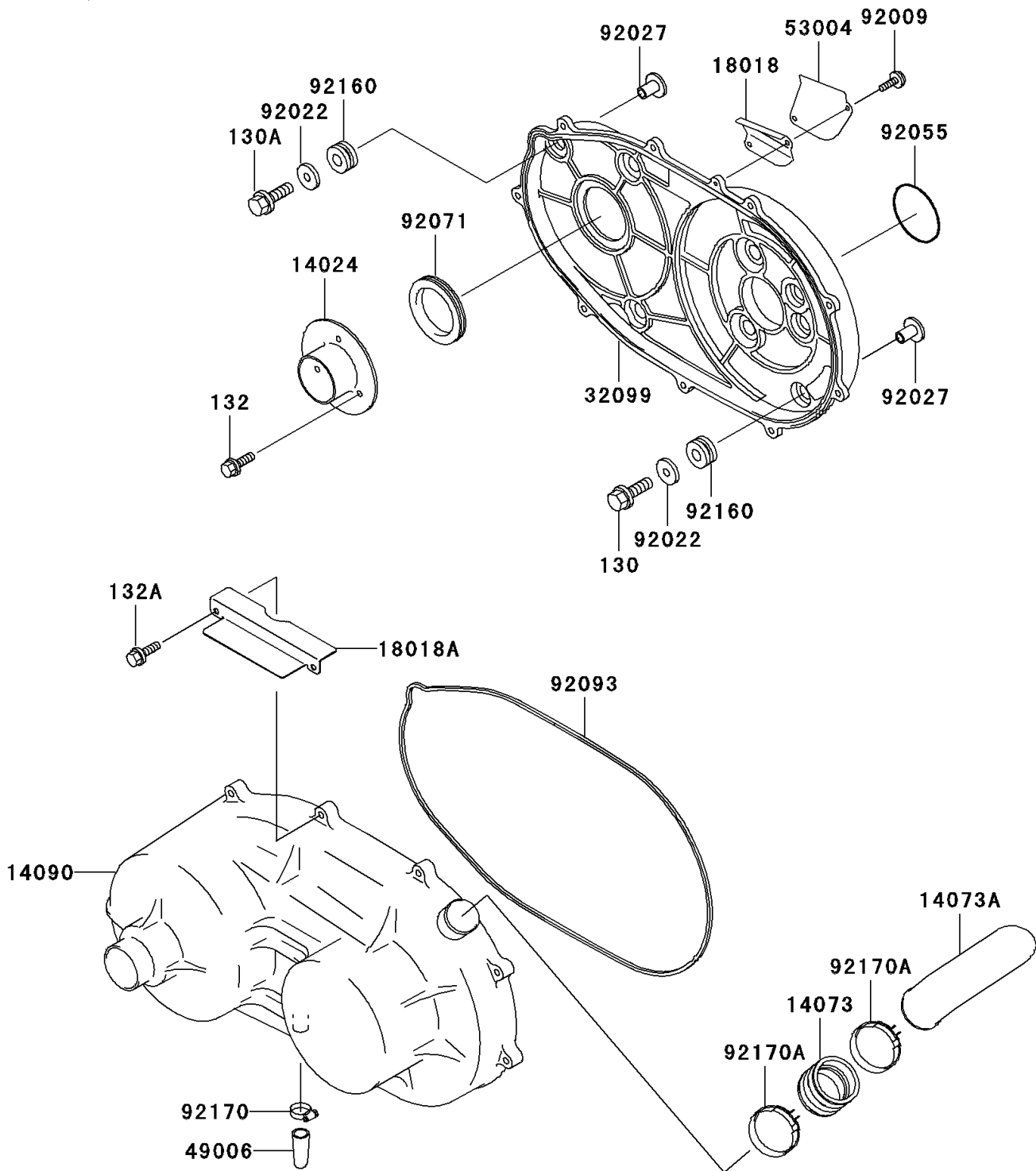


Mule 3010 4x4 Hardwoods Green HD

PARTS DIAGRAM

Converter Cover/Drive Belt

E1393



Mule 3010 4x4 Hardwoods Green HD

PARTS LIST

Converter Cover/Drive Belt

ITEM NAME	PART NUMBER	QUANTITY
BOLT-FLANGED,8X25,BLACK (Ref # 130)	130J0825	6
BOLT-FLANGED,8X45 (Ref # 130A)	130J0845	1
BOLT-FLANGED-SMALL (Ref # 132)	132G0616	3
BOLT-FLANGED-SMALL (Ref # 132A)	132J0630	9
COVER,FAN (Ref # 14024)	14024-1554	1
DUCT (Ref # 14073)	14073-1324	1
DUCT,CONVERTER OUTLET (Ref # 14073A)	14073-1573	1
COVER,BELT CONVERTER (Ref # 14090)	14090-1239	1
PLATE-HEAT GUARD (Ref # 18018)	18018-1092	1
PLATE-HEAT GUARD (Ref # 18018A)	18018-1118	1
CASE,BELT CONVERTER (Ref # 32099)	32099-1140	1
BOOT (Ref # 49006)	49006-1351	1
MAT,GUARD PLATE (Ref # 53004)	53004-1079	1
SCREW,TAPPING,5X10 (Ref # 92009)	92009-1332	2
WASHER,8.5X26X0.8 (Ref # 92022)	92022-101	7
COLLAR (Ref # 92027)	92027-4015	7
RING-O,CRANKCASE SIDE (Ref # 92055)	92055-1395	1
GROMMET,CONVERTER CASE (Ref # 92071)	92071-1212	1
SEAL (Ref # 92093)	92093-1526	1
DAMPER (Ref # 92160)	92160-1012	7
CLAMP (Ref # 92170)	92170-1283	1
CLAMP (Ref # 92170A)	92170-1448	2