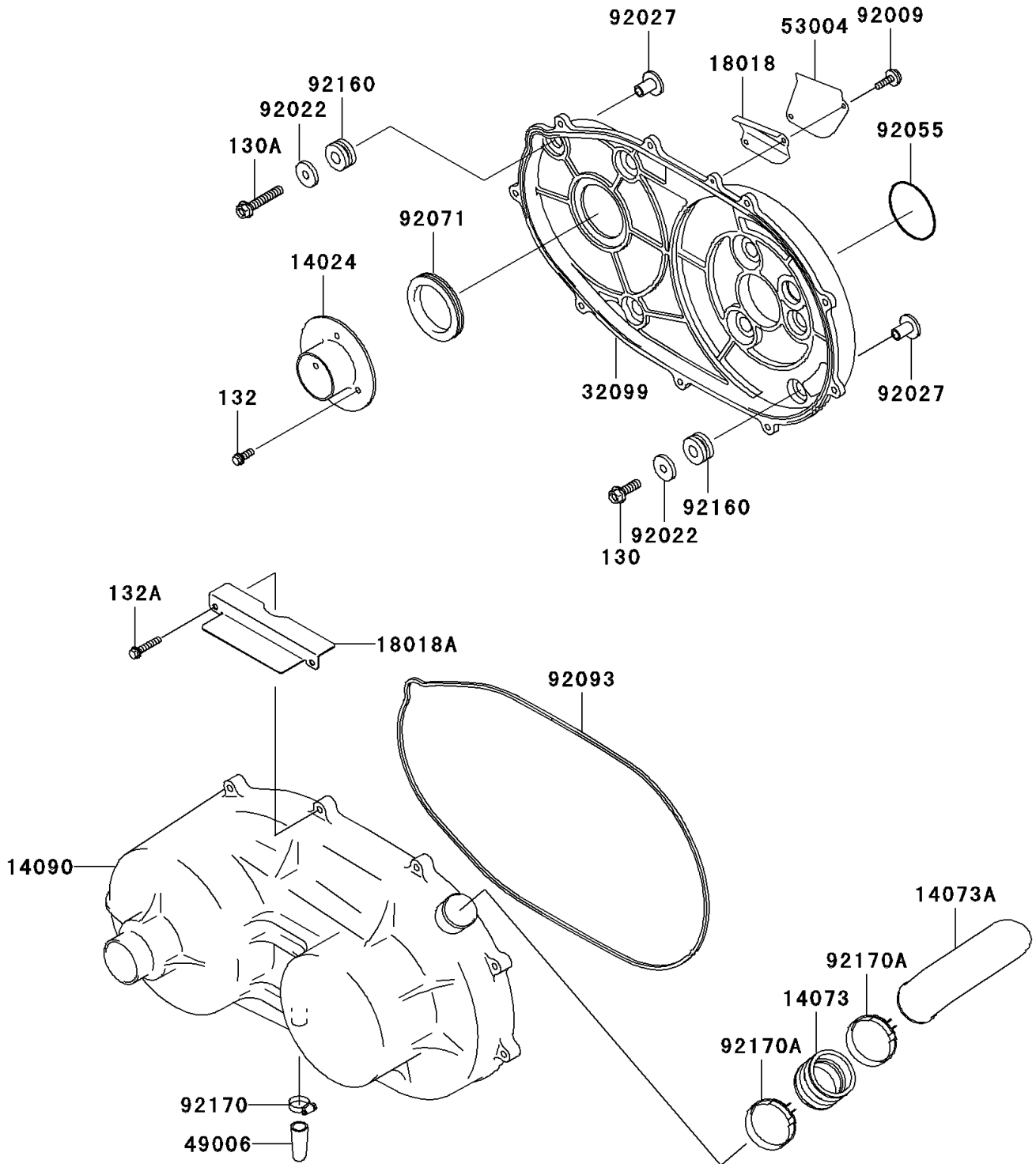


Mule 3000 PARTS DIAGRAM

Converter Cover/Drive Belt

E1393



Mule 3000 PARTS LIST

Converter Cover/Drive Belt

| ITEM NAME | PART NUMBER | QUANTITY |
|--------------------------------------|-------------|----------|
| BOLT-FLANGED,8X25,BLACK (Ref # 130) | 130J0825 | 6 |
| BOLT-FLANGED,8X45 (Ref # 130A) | 130J0845 | 1 |
| BOLT-FLANGED-SMALL (Ref # 132) | 132G0616 | 3 |
| BOLT-FLANGED-SMALL (Ref # 132A) | 132J0630 | 9 |
| COVER,FAN (Ref # 14024) | 14024-1554 | 1 |
| DUCT (Ref # 14073) | 14073-1324 | 1 |
| DUCT,CONVERTER OUTLET (Ref # 14073A) | 14073-1573 | 1 |
| COVER,BELT CONVERTER (Ref # 14090) | 14090-1239 | 1 |
| PLATE-HEAT GUARD (Ref # 18018) | 18018-1092 | 1 |
| PLATE-HEAT GUARD (Ref # 18018A) | 18018-1118 | 1 |
| CASE,BELT CONVERTER (Ref # 32099) | 32099-1140 | 1 |
| BOOT (Ref # 49006) | 49006-1351 | 1 |
| MAT,GUARD PLATE (Ref # 53004) | 53004-1079 | 1 |
| SCREW,TAPPING,5X10 (Ref # 92009) | 92009-1332 | 2 |
| WASHER,8.5X26X0.8 (Ref # 92022) | 92022-101 | 7 |
| COLLAR (Ref # 92027) | 92027-4015 | 7 |
| RING-O,CRANKCASE SIDE (Ref # 92055) | 92055-1395 | 1 |
| GROMMET,CONVERTER CASE (Ref # 92071) | 92071-1212 | 1 |
| SEAL (Ref # 92093) | 92093-1526 | 1 |
| DAMPER (Ref # 92160) | 92160-1012 | 7 |
| CLAMP (Ref # 92170) | 92170-1283 | 1 |
| CLAMP (Ref # 92170A) | 92170-1448 | 2 |