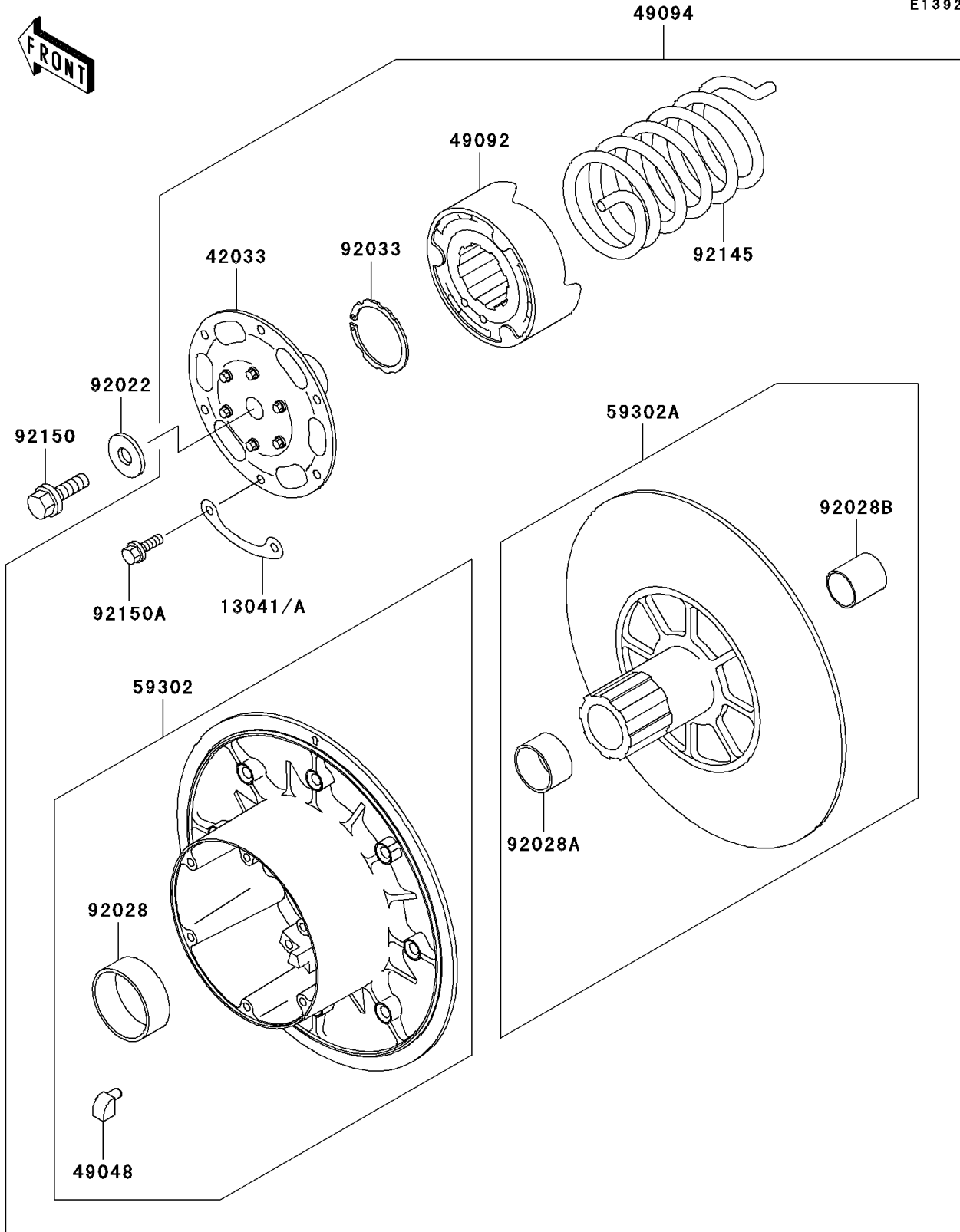


# Mule 2510 Diesel PARTS DIAGRAM

Driven Converter

E1392



# Mule 2510 Diesel PARTS LIST

## Driven Converter

ITEM NAME	PART NUMBER	QUANTITY
BALANCER,T=0.8 (Ref # 13041)	13041-1084	AR
BALANCER,T=1.0 (Ref # 13041A)	13041-1085	AR
COUPLING-ASSY (Ref # 42033)	42033-1124	1
SHOE (Ref # 49048)	49048-1057	3
RAMP (Ref # 49092)	49092-1064	1
CONVERTER-ASSY-DRIVEN (Ref # 49094)	49094-1075	1
SHEAVE-COMP (Ref # 59302)	59302-1086	1
SHEAVE-COMP,MOVABLE (Ref # 59302A)	59302-1087	1
WASHER,12.5X32X3.2 (Ref # 92022)	92022-1982	1
BUSHING,50X55X20 (Ref # 92028)	92028-1512	1
BUSHING,32X36X20 (Ref # 92028A)	92028-1513	1
BUSHING,25X28X30 (Ref # 92028B)	92028-1514	1
RING-SNAP (Ref # 92033)	92033-1241	1
SPRING,DRIVEN CONVERTER (Ref # 92145)	92145-1350	1
BOLT,12X35 (Ref # 92150)	92150-1009	1
BOLT,6X20 (Ref # 92150A)	92150-1014	6