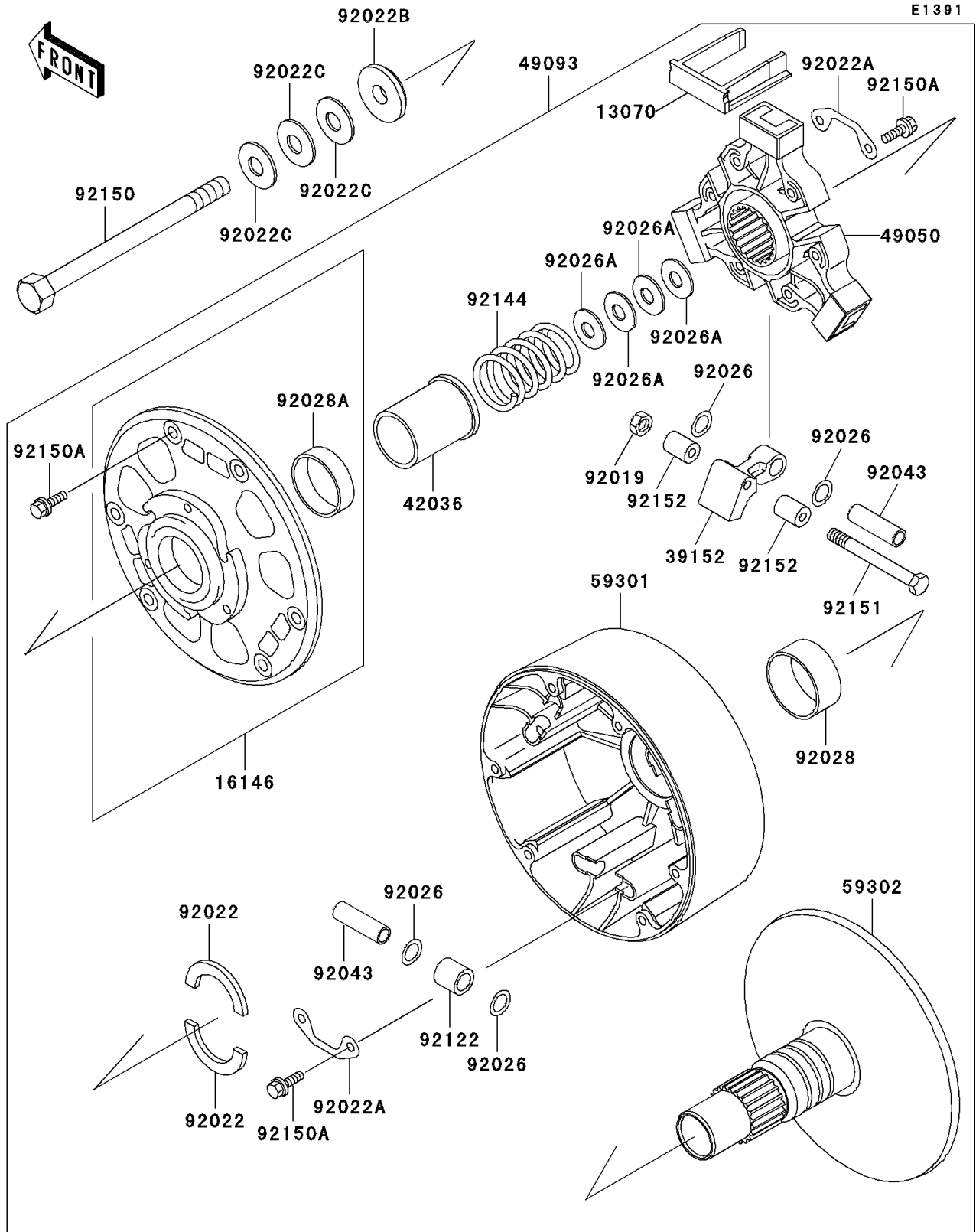


# Mule 2510 Diesel PARTS DIAGRAM

Drive Converter



# Mule 2510 Diesel PARTS LIST

## Drive Converter

ITEM NAME	PART NUMBER	QUANTITY
GUIDE (Ref # 13070)	13070-1344	3
COVER-ASSY (Ref # 16146)	16146-1088	1
WEIGHT-RAMP (Ref # 39152)	39152-1075	3
SLEEVE (Ref # 42036)	42036-1221	1
SPIDER (Ref # 49050)	49050-1053	1
CONVERTER-ASSY-DRIVE (Ref # 49093)	49093-1068	1
SHEAVE-MOVABLE (Ref # 59301)	59301-1058	1
SHEAVE-COMP (Ref # 59302)	59302-1055	1
NUT,LOCK,6MM (Ref # 92019)	92019-008	3
WASHER,SPLIT (Ref # 92022)	92022-1897	2
WASHER (Ref # 92022A)	92022-1899	6
WASHER,SLEEVE (Ref # 92022B)	92022-1900	1
WASHER,SPECIAL CONICAL (Ref # 92022C)	92022-1901	3
SPACER,10X16X0.8 (Ref # 92026)	92026-1304	12
SPACER,48.7X57.5X1.0 (Ref # 92026A)	92026-1498	4
BUSHING,43X47X20 (Ref # 92028)	92028-1508	1
BUSHING,40X44X12 (Ref # 92028A)	92028-1511	1
PIN,6.5X10X38 (Ref # 92043)	92043-1370	6
ROLLER (Ref # 92122)	92122-1152	3
SPRING,DRIVE (Ref # 92144)	92144-1196	1
BOLT,12X163.5 (Ref # 92150)	92150-1008	1
BOLT,6X20 (Ref # 92150A)	92150-1014	18
BOLT,6X72 (Ref # 92151)	92151-1815	3
COLLAR,6X14X19 (Ref # 92152)	92152-1265	6