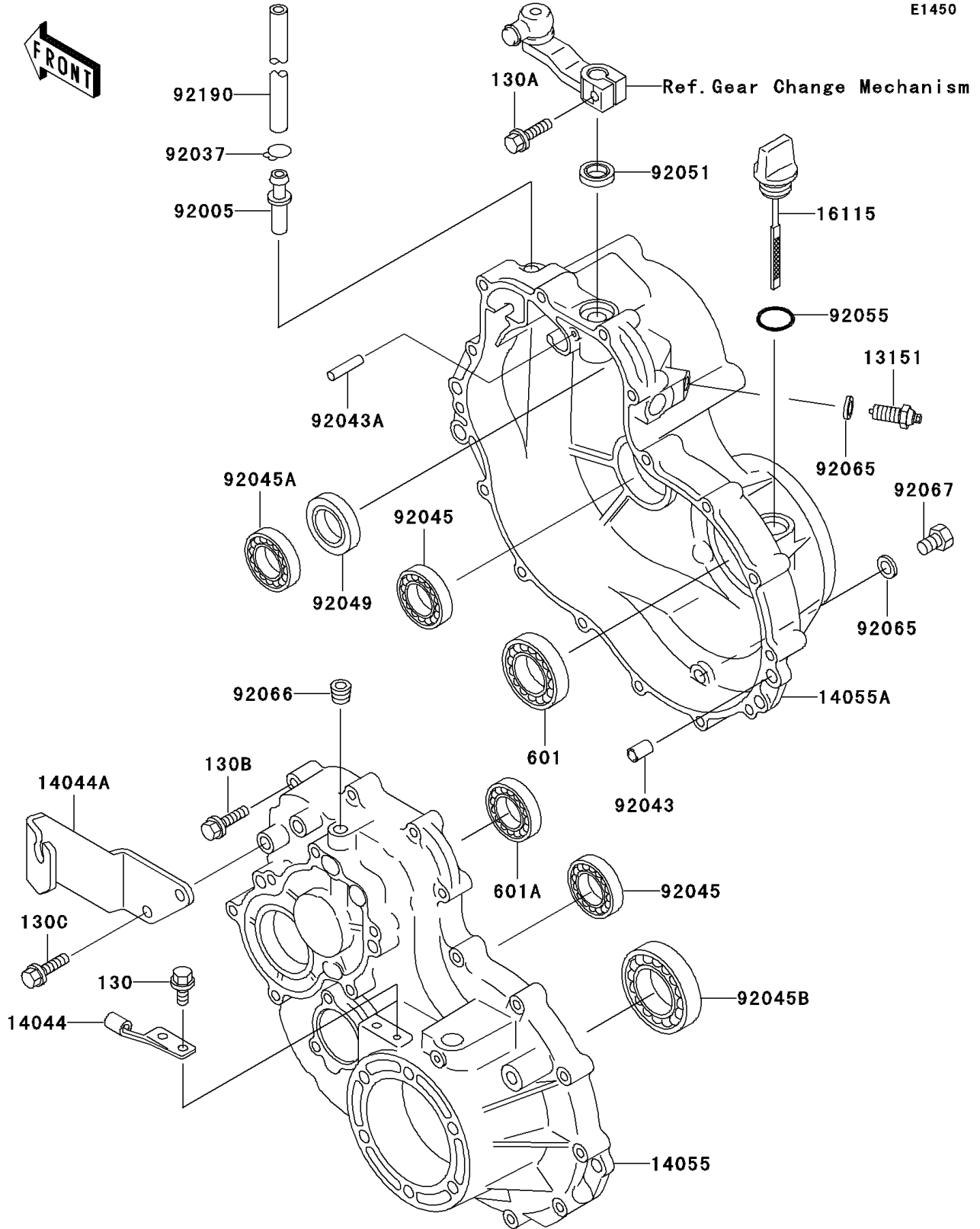


Mule 520 PARTS DIAGRAM

Gear Box

E1450



Mule 520 PARTS LIST

Gear Box

ITEM NAME	PART NUMBER	QUANTITY
BOLT-FLANGED (Ref # 130)	130D0610	2
BOLT-FLANGED (Ref # 130A)	130H0620	1
BOLT-FLANGED,6X35 (Ref # 130B)	130H0635	16
BOLT-FLANGED,8X20 (Ref # 130C)	130H0820	2
BEARING-BALL (Ref # 601)	601B6008	1
BEARING-BALL (Ref # 601A)	601B6303U	1
SWITCH-COMP,NEUTRAL (Ref # 13151)	13151-1069	1
HOLDER-CABLE (Ref # 14044)	14044-1061	1
HOLDER-CABLE,CHANGE (Ref # 14044A)	14044-1071	1
CASE-GEAR,LH (Ref # 14055)	14055-1096	1
CASE-GEAR,RH (Ref # 14055A)	14055-1097	1
CAP-OIL FILLER (Ref # 16115)	16115-1060	1
FITTING,BREATHER (Ref # 92005)	92005-1127	1
CLAMP,TUBE (Ref # 92037)	92037-1505	1
PIN,6.2X8X14 (Ref # 92043)	92043-1263	2
PIN (Ref # 92043A)	92043-1415	1
BEARING-BALL,#6204 (Ref # 92045)	92045-1032	2
BEARING-BALL,6205CM (Ref # 92045A)	92045-1200	1
BEARING-BALL,6210CM (Ref # 92045B)	92045-1213	1
SEAL-OIL (Ref # 92049)	92049-2014	1
SEAL-OIL,TB13225.5 (Ref # 92051)	92051-005	1
RING-O,20MM (Ref # 92055)	92055-2185	1
GASKET,10.5X16X1 (Ref # 92065)	92065-058	2
PLUG,PT1/8X7 (Ref # 92066)	92066-1227	1
PLUG,DRAIN,10X12 (Ref # 92067)	92067-001	1
TUBE (Ref # 92190)	92190-3807	1