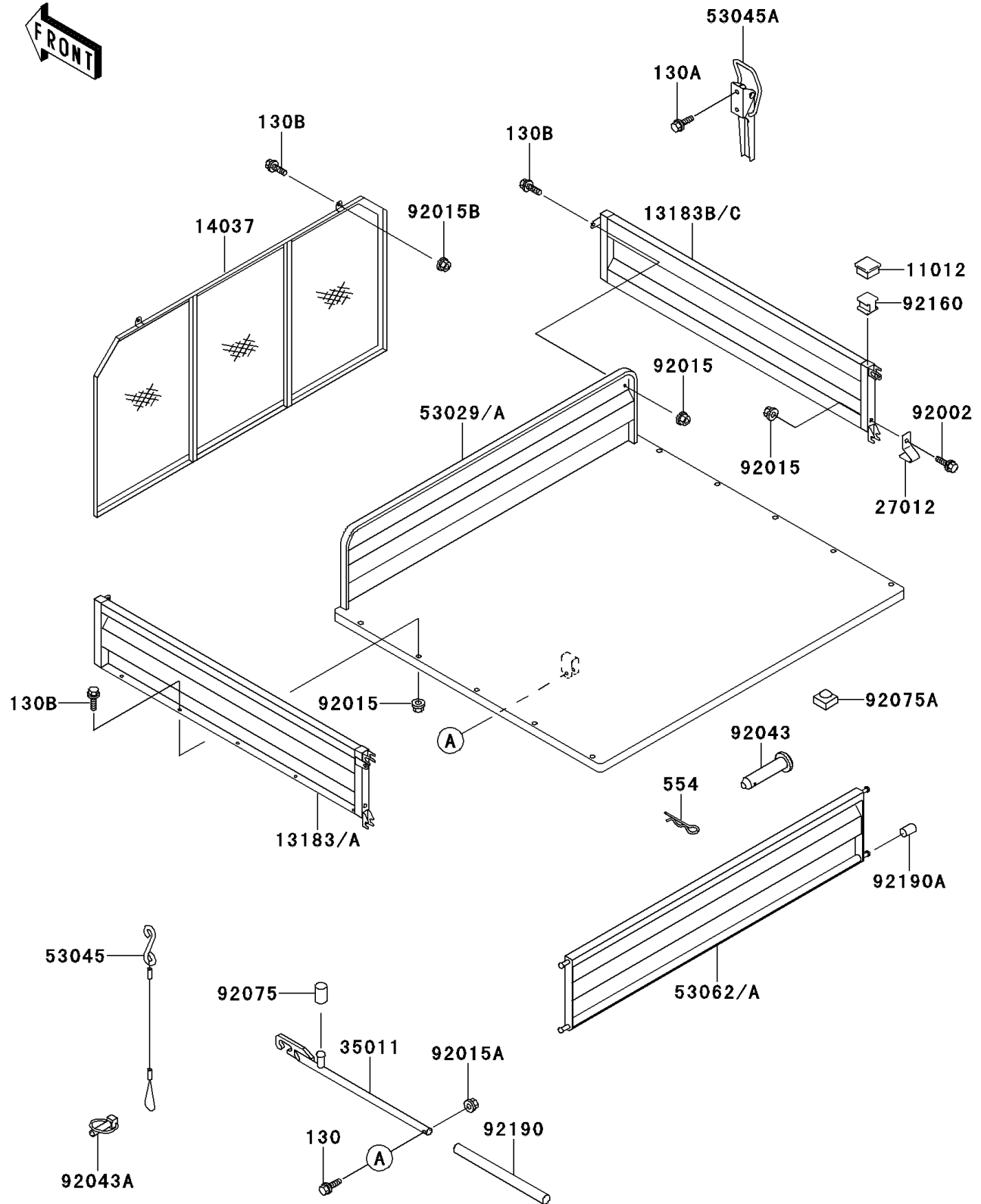


Mule 2510 4X4 PARTS DIAGRAM

Accessory(Carrier/Screen)

F2910B



Mule 2510 4X4 PARTS LIST

Accessory(Carrier/Screen)

ITEM NAME	PART NUMBER	QUANTITY
BOLT-FLANGED,6X30 (Ref # 130)	130H0630	1
BOLT-FLANGED,6X14,BLACK (Ref # 130A)	130J0614	4
BOLT-FLANGED,8X20 (Ref # 130B)	130J0820	18
PIN-SNAP,12MM (Ref # 554)	554A1200	2
CAP (Ref # 11012)	11012-1784	4
PLATE,CARRIER,SIDE,LH,F.RED (Ref # 13183)	13183-1893-B1	1
PLATE,CARRIER,SIDE,LH,H.GREEN (Ref # 13183A)	13183-1893-B9	1
PLATE,CARRIER,SIDE,RH,F.RED (Ref # 13183B)	13183-1895-B1	1
PLATE,CARRIER,SIDE,RH,H.GREEN (Ref # 13183C)	13183-1895-B9	1
SCREEN,REAR GUARD (Ref # 14037)	14037-1265	1
HOOK,TAIL GATE (Ref # 27012)	27012-1406	2
STAY,CARRIER STOPPER (Ref # 35011)	35011-1648	1
CARRIER,F.RED (Ref # 53029)	53029-1157-B1	1
CARRIER,H.GREEN (Ref # 53029A)	53029-1157-B9	1
HOOK-ASSY,TALE GATE (Ref # 53045)	53045-1060	2
HOOK-ASSY (Ref # 53045A)	53045-1063	2
GATE-TAIL,F.RED (Ref # 53062)	53062-1004-B1	1
GATE-TAIL,H.GREEN (Ref # 53062A)	53062-1004-B9	1
BOLT,8X50 (Ref # 92002)	92002-1182	2
NUT,FLANGED,8MM (Ref # 92015)	92015-1408	14
NUT,LOCK,FLANGED,6MM (Ref # 92015A)	92015-1675	1
NUT,FLANGED,LOCK,8MM (Ref # 92015B)	92015-1696	6
PIN,12X65 (Ref # 92043)	92043-1428	2
PIN (Ref # 92043A)	92043-1490	2
DAMPER (Ref # 92075)	92075-1817	1
DAMPER (Ref # 92075A)	92075-1882	8
DAMPER (Ref # 92160)	92160-1191	2
TUBE,13X16X200 (Ref # 92190)	92190-1401	1
TUBE,8X10X15 (Ref # 92190A)	92190-1467	2