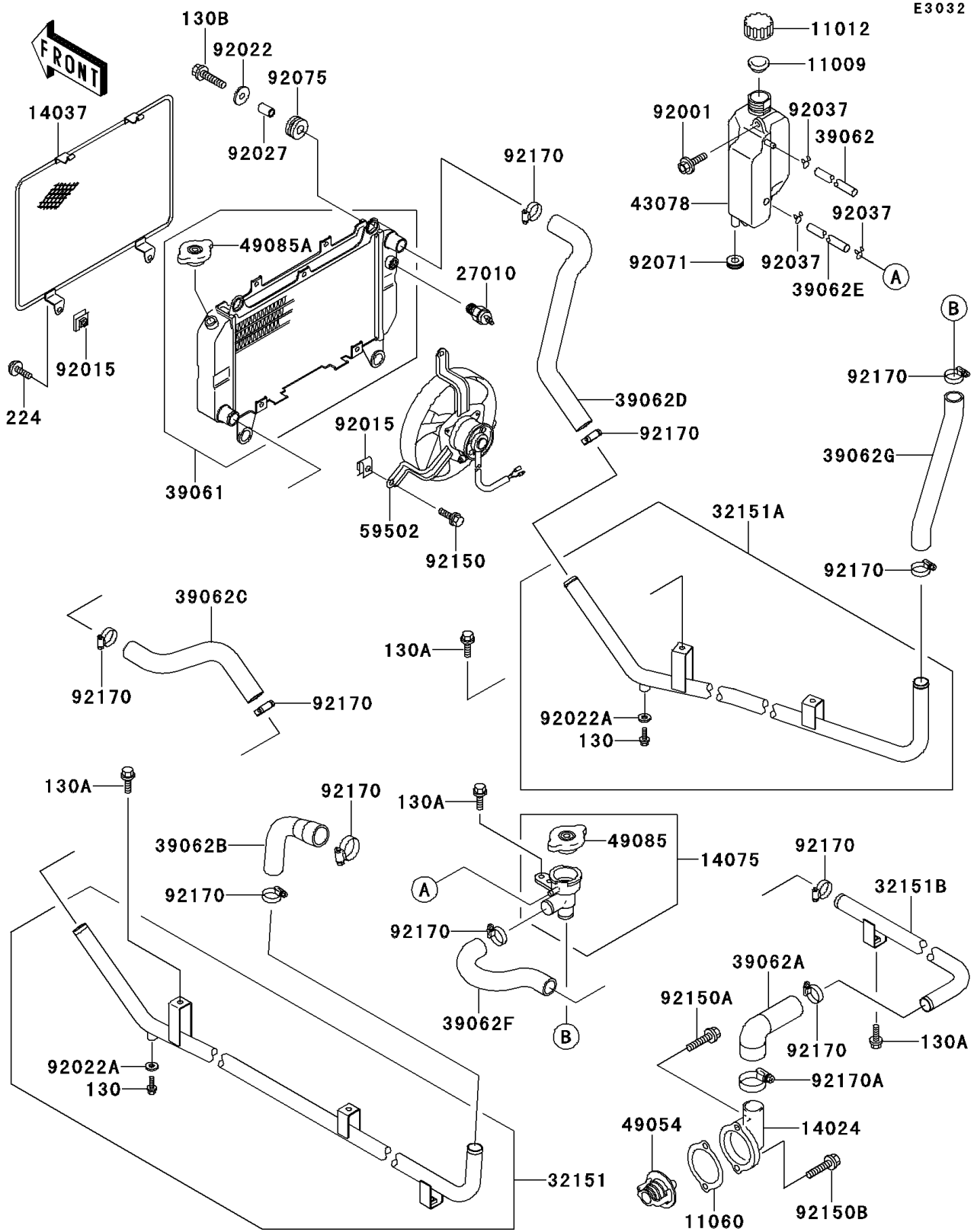


Mule 2510 4X4 PARTS DIAGRAM

Radiator



Mule 2510 4X4 PARTS LIST

Radiator

ITEM NAME	PART NUMBER	QUANTITY
BOLT-FLANGED (Ref # 130)	130J0610	2
BOLT-FLANGED,6X14,BLACK (Ref # 130A)	130J0614	8
BOLT-FLANGED,8X25,BLACK (Ref # 130B)	130J0825	4
GASKET,RESERVOIR TANK CAP (Ref # 11009)	11009-1145	1
CAP (Ref # 11012)	11012-1084	1
GASKET,THERMOSTAT COVER (Ref # 11060)	11060-2084	1
COVER,THERMOSTAT (Ref # 14024)	14024-2293	1
SCREEN (Ref # 14037)	14037-1258	1
CAP-ASSY,RADIATOR (Ref # 14075)	14075-1061	1
SWITCH,FAN (Ref # 27010)	27010-1317	1
PIPE,COOLING,LH (Ref # 32151)	32151-1313	1
PIPE,COOLING,RH (Ref # 32151A)	32151-1314	1
PIPE,RH (Ref # 32151B)	32151-1315	1
RADIATOR-ASSY (Ref # 39061)	39061-1270	1
HOSE-COOLING (Ref # 39062)	39062-1125	1
HOSE-COOLING,RH,OUTLET (Ref # 39062A)	39062-1521	1
HOSE-COOLING,LH,INTAKE (Ref # 39062B)	39062-1589	1
HOSE-COOLING,RADIATOR,LH (Ref # 39062C)	39062-1590	1
HOSE-COOLING,RADIATOR,RH (Ref # 39062D)	39062-1591	1
HOSE-COOLING,CAP-RESERVOIR (Ref # 39062E)	39062-1592	1
HOSE-COOLING,UPP (Ref # 39062F)	39062-1593	1
HOSE-COOLING,LWR (Ref # 39062G)	39062-1594	1
RESERVOIR (Ref # 43078)	43078-1072	1
THERMOSTAT (Ref # 49054)	49054-2056	1
CAP-ASSY-PRESSURE (Ref # 49085)	49085-1066	1
CAP-ASSY-PRESSURE (Ref # 49085A)	49085-1068	1
FAN-ASSY (Ref # 59502)	59502-1131	1
BOLT,W/P,6X16 (Ref # 92001)	92001-1860	1
NUT (Ref # 92015)	92015-1487	5

Mule 2510 4X4 PARTS LIST

Radiator

ITEM NAME	PART NUMBER	QUANTITY
WASHER,8.5X20X1.6,BLACK (Ref # 92022)	92022-1317	4
WASHER,6.2X11X1 (Ref # 92022A)	92022-304	2
COLLAR,8.8X12X10.7 (Ref # 92027)	92027-102	4
CLAMP,TUBE (Ref # 92037)	92037-147	3
GROMMET (Ref # 92071)	92071-1115	1
DAMPER (Ref # 92075)	92075-294	4
BOLT,6X12 (Ref # 92150)	92150-1186	3
BOLT,6X40 (Ref # 92150A)	92150-2230	1
BOLT,6X20 (Ref # 92150B)	92150-2231	1
CLAMP,COOLING HOSE (Ref # 92170)	92170-1286	11
CLAMP (Ref # 92170A)	92170-1678	1
SCREW-PAN-WP-CROS (Ref # 224)	224C0612	2