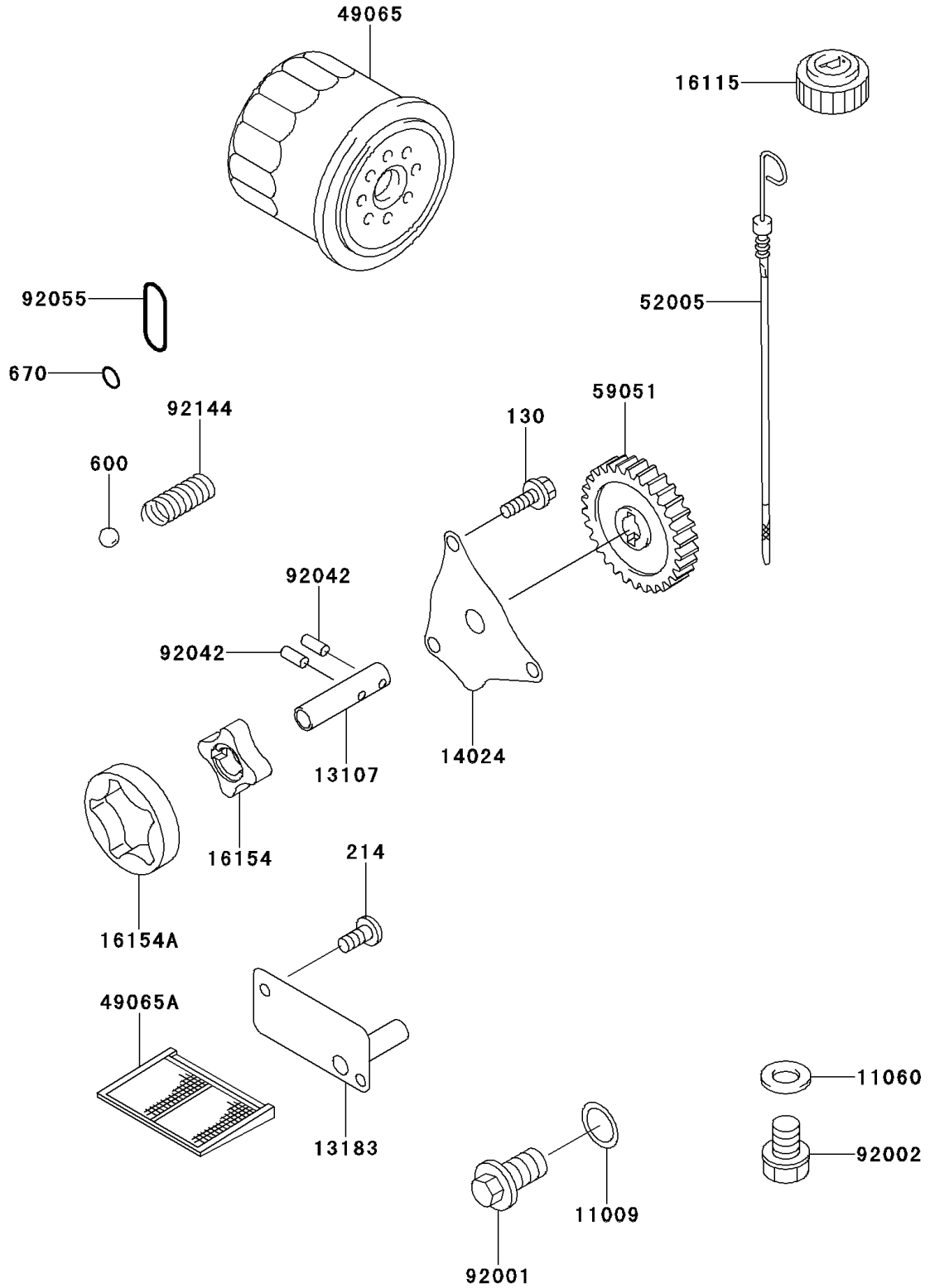


Mule 2510 4X4 PARTS DIAGRAM

Oil Pump/Oil Filter

E1710



Mule 2510 4X4 PARTS LIST

Oil Pump/Oil Filter

| ITEM NAME | PART NUMBER | QUANTITY |
|------------------------------------|-------------|----------|
| BOLT-FLANGED (Ref # 130) | 130B0614 | 3 |
| SCREW-PAN+- (Ref # 214) | 214B0512 | 2 |
| BALL-STEEL,13/32" (Ref # 600) | 600A1300 | 1 |
| O RING,11MM (Ref # 670) | 670B2011 | 1 |
| GASKET,16.2X22X1 (Ref # 11009) | 11009-1467 | 1 |
| GASKET,ROCKER SHAFT (Ref # 11060) | 11060-1287 | 1 |
| SHAFT (Ref # 13107) | 13107-2099 | 1 |
| PLATE (Ref # 13183) | 13183-2419 | 1 |
| COVER (Ref # 14024) | 14024-2113 | 1 |
| CAP-OIL FILLER (Ref # 16115) | 16115-2090 | 1 |
| ROTOR-PUMP,IN (Ref # 16154) | 16154-2053 | 1 |
| ROTOR-PUMP,OUT (Ref # 16154A) | 16154-2054 | 1 |
| FILTER-OIL (Ref # 49065) | 49065-2071 | 1 |
| FILTER-OIL (Ref # 49065A) | 49065-2072 | 1 |
| GAUGE (Ref # 52005) | 52005-2122 | 1 |
| GEAR-SPUR (Ref # 59051) | 59051-2114 | 1 |
| BOLT,FLANGED,16X11.5 (Ref # 92001) | 92001-1114 | 1 |
| BOLT,14X10 (Ref # 92002) | 92002-1513 | 1 |
| PIN,DOWEL,4X15.8 (Ref # 92042) | 92042-014 | 2 |
| RING-O (Ref # 92055) | 92055-2086 | 1 |
| SPRING (Ref # 92144) | 92144-2053 | 1 |