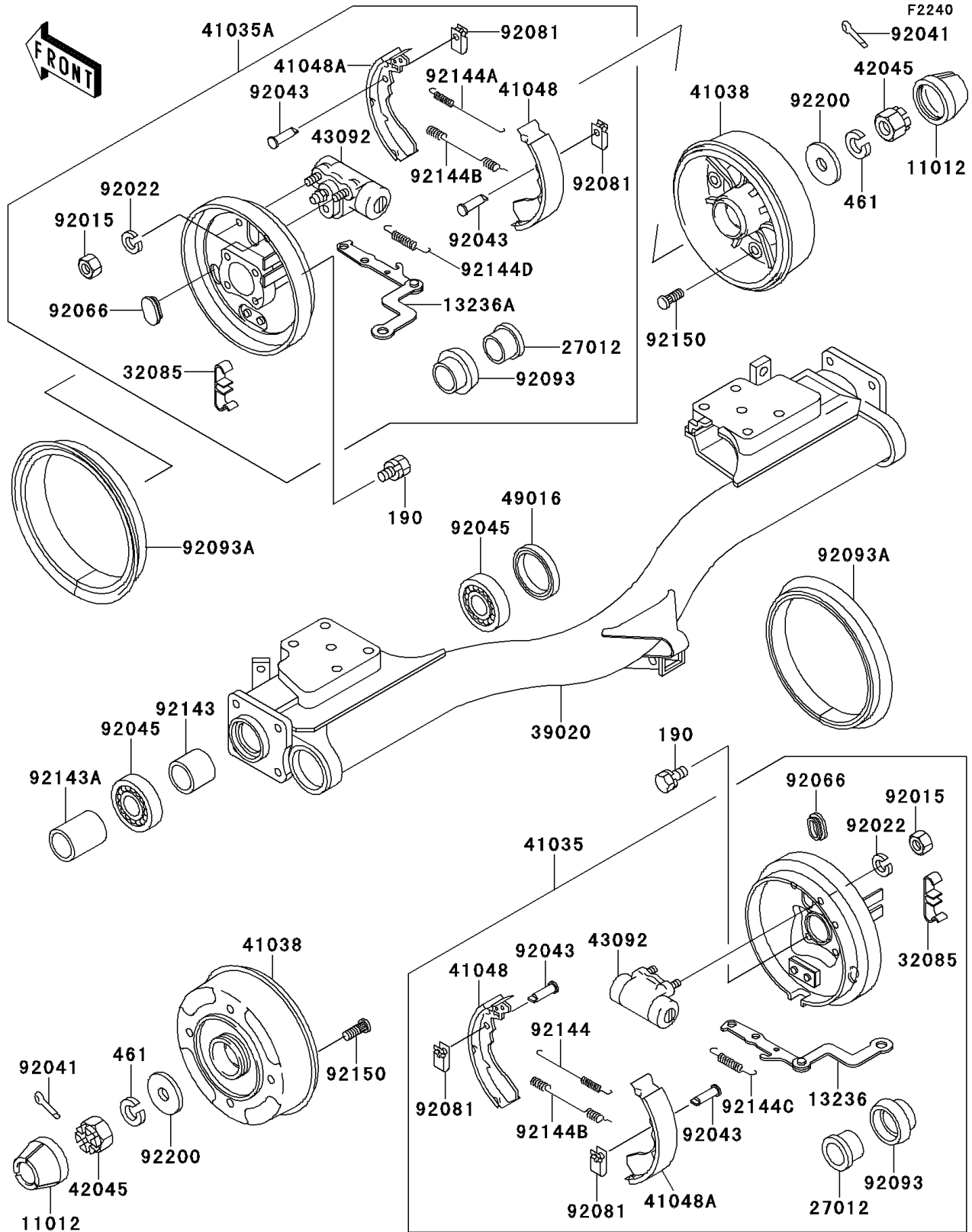


# Mule 2500 PARTS DIAGRAM

Rear Hubs/Brakes



# Mule 2500 PARTS LIST

## Rear Hubs/Brakes

ITEM NAME	PART NUMBER	QUANTITY
BOLT-UPSET-WS,10X16 (Ref # 190)	190H1016	8
WASHER-SPRING,18MM (Ref # 461)	461F1800	2
CAP,WHEEL (Ref # 11012)	11012-1969	2
LEVER-COMP,REAR BRAKE PANEL,LH (Ref # 13236)	13236-1180	1
LEVER-COMP,REAR BRAKE PANEL,RH (Ref # 13236A)	13236-1181	1
HOOK,REAR BRAKE LEVER (Ref # 27012)	27012-1396	2
STOPPER,REAR BRAKE LEVER (Ref # 32085)	32085-1298	2
BRACKET-COMP-REAR SUSP (Ref # 39020)	39020-1053	1
PANEL-ASSY-BRAKE,RR,LH (Ref # 41035)	41035-1306	1
PANEL-ASSY-BRAKE,RR,RH (Ref # 41035A)	41035-1307	1
DRUM,REAR BRAKE (Ref # 41038)	41038-1226	2
SHOE-BRAKE (Ref # 41048)	41048-1078	2
SHOE-BRAKE (Ref # 41048A)	41048-1079	2
NUT,CASTLE,18MM (Ref # 42045)	42045-018	2
CYLINDER,REAR WHEEL (Ref # 43092)	43092-1053	2
COVER-SEAL (Ref # 49016)	49016-1151	2
NUT,6MM (Ref # 92015)	92015-1729	4
WASHER,SPRING,6MM (Ref # 92022)	92022-1951	4
COTTER,4.0X35 (Ref # 92041)	92041-1053	2
PIN,TENSION (Ref # 92043)	92043-1398	4
BEARING-BALL,6205DDU (Ref # 92045)	92045-1229	4
PLUG (Ref # 92066)	92066-1309	2
SPRING,SHOE CLAMP (Ref # 92081)	92081-1904	4
SEAL,REAR BRAKE LEVER (Ref # 92093)	92093-1259	2
SEAL (Ref # 92093A)	92093-1357	2
COLLAR,25.1X32X23.3 (Ref # 92143)	92143-1108	2
COLLAR,25.2X38X29.5 (Ref # 92143A)	92143-1650	2
SPRING,BRAKE (Ref # 92144)	92144-1299	1
SPRING,BRAKE (Ref # 92144A)	92144-1300	1

# Mule 2500 PARTS LIST

## Rear Hubs/Brakes

ITEM NAME	PART NUMBER	QUANTITY
SPRING,BRAKE (Ref # 92144B)	92144-1301	2
SPRING,ROD,LH (Ref # 92144C)	92144-1302	1
SPRING,ROD,RH (Ref # 92144D)	92144-1303	1
BOLT (Ref # 92150)	92150-1366	8
WASHER,18.5X52X4.5 (Ref # 92200)	92200-1139	2