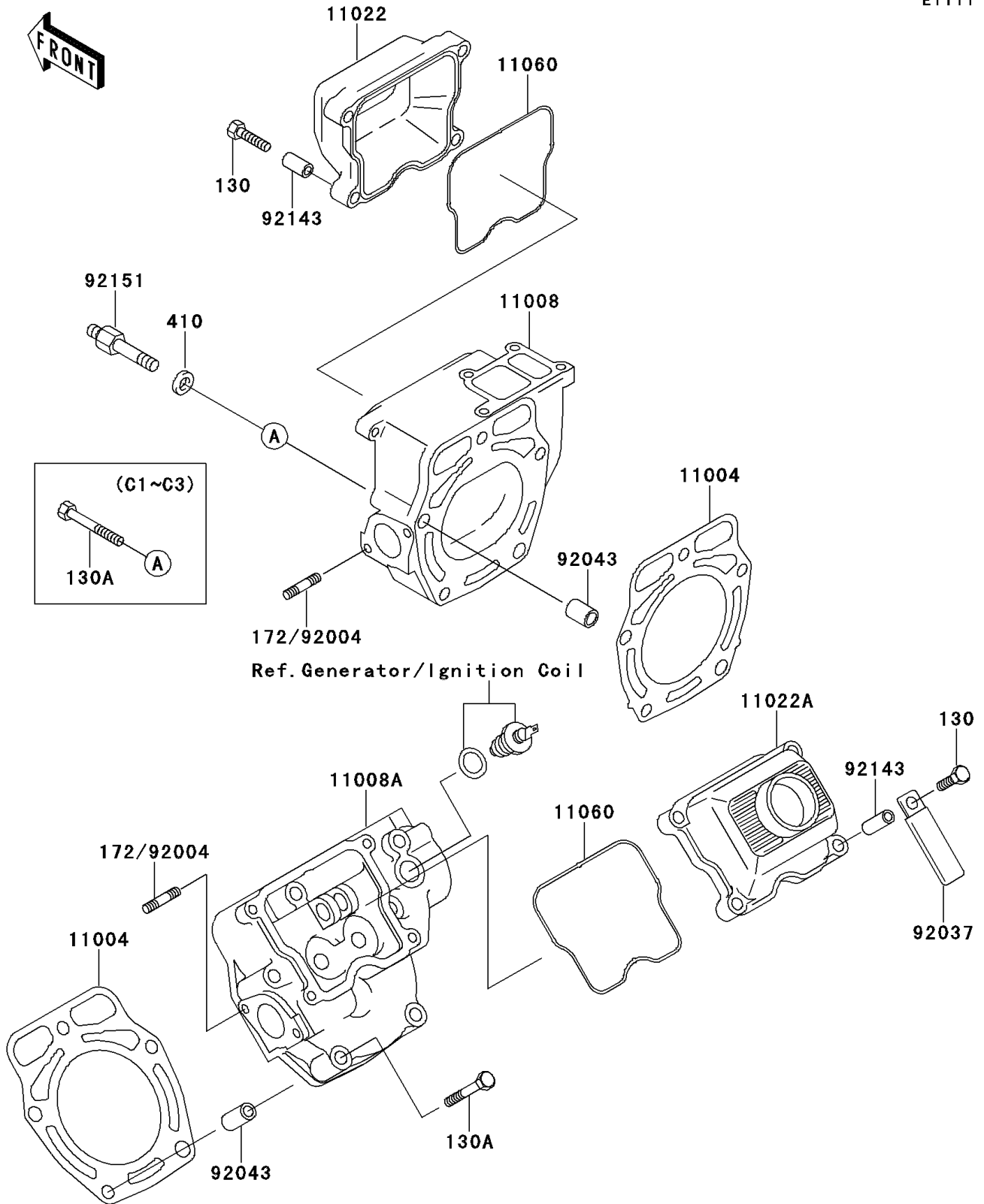


Mule 2500 PARTS DIAGRAM

Cylinder Head

E1111



Mule 2500 PARTS LIST

Cylinder Head

ITEM NAME	PART NUMBER	QUANTITY
BOLT-FLANGED,6X25 (Ref # 130)	130B0625	1
BOLT-FLANGED,8X65 (Ref # 130A)	130G0865	1
BOLT-STUD,6X20 (Ref # 172)	172G0620	1
GASKET-HEAD (Ref # 11004)	11004-2107	1
HEAD-COMP-CYLINDER (Ref # 11008)	11008-2087	1
HEAD-COMP-CYLINDER (Ref # 11008A)	11008-6015	1
CASE-ROCKER (Ref # 11022)	11022-2056	1
CASE-ROCKER (Ref # 11022A)	11022-2068	1
GASKET,ROCKER CASE (Ref # 11060)	11060-2332	1
CLAMP,WIRING HARNESS,L=60 (Ref # 92037)	92037-1069	1
PIN,DOWEL,10X14 (Ref # 92043)	92043-1037	1
COLLAR (Ref # 92143)	92143-2010	1