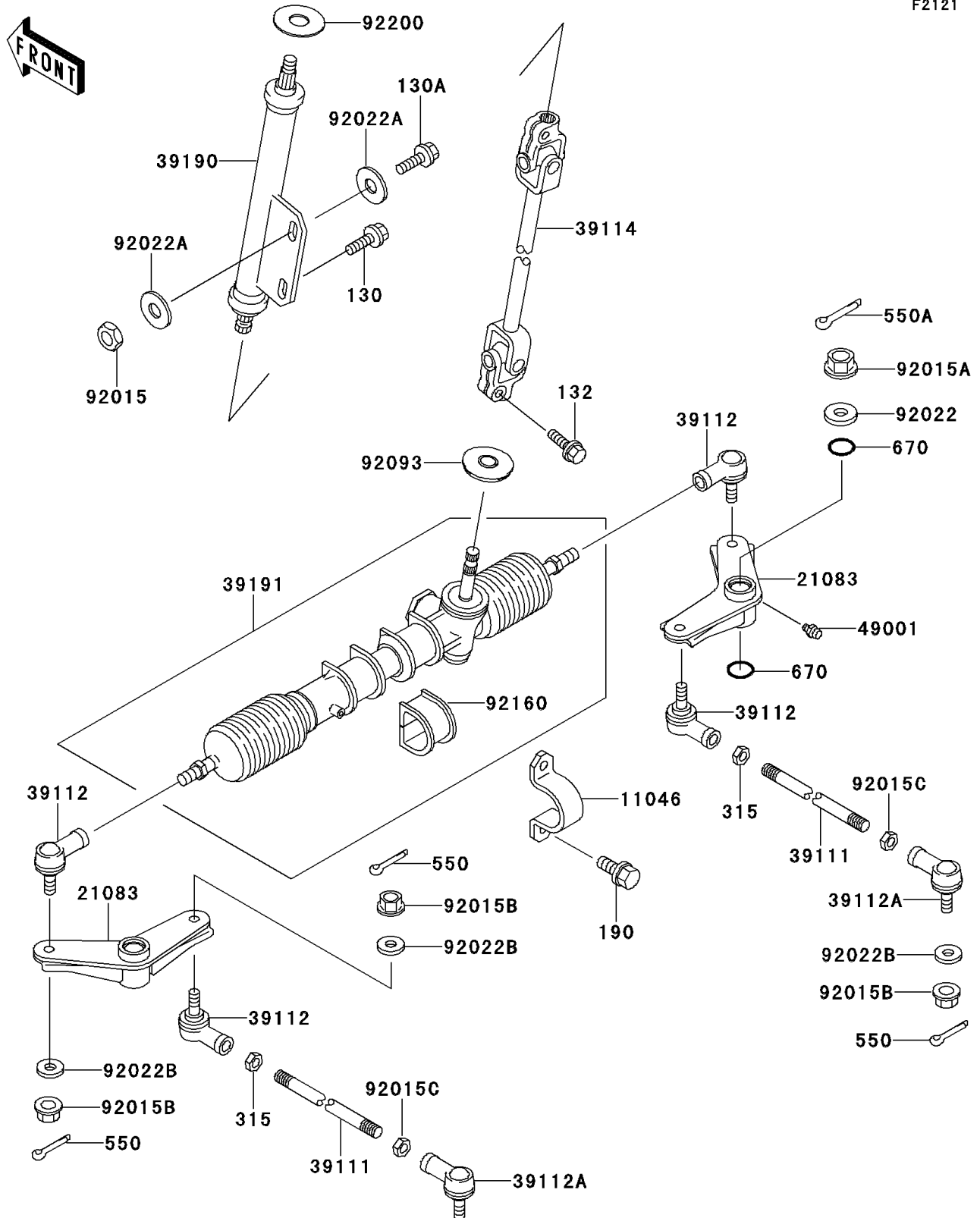


## Mule 500 PARTS DIAGRAM

Steering Shaft

F2121



## Mule 500 PARTS LIST

Steering Shaft

ITEM NAME	PART NUMBER	QUANTITY
BOLT-FLANGED,10X25 (Ref # 130)	130J1025	1
BOLT-FLANGED,10X30 (Ref # 130A)	130J1030	1
BOLT-FLANGED-SMALL (Ref # 132)	132J0825	1
BOLT-UPSET-WS (Ref # 190)	190H1025	1
NUT-HEX-FINE (Ref # 315)	315C1200	1
PIN-COTTER,2.5X20 (Ref # 550)	550D2520	1
PIN-COTTER,4.0X20 (Ref # 550A)	550D4020	1
O RING,18MM (Ref # 670)	670B2018	1
BRACKET,STEERING GEAR (Ref # 11046)	11046-1858	1
ARM (Ref # 21083)	21083-1088	1
ROD-TIE (Ref # 39111)	39111-1112	1
RODEND-TIE,RIGHT SCREW (Ref # 39112)	39112-1065	1
RODEND-TIE,LEFT SCREW (Ref # 39112A)	39112-1066	1
SHAFT-COMP-STRG (Ref # 39114)	39114-1070	1
SHAFT-ASSY-STEERING (Ref # 39190)	39190-1003	1
GEAR-ASSY-STEERING (Ref # 39191)	39191-1003	1
NIPPLE-GREASE (Ref # 49001)	49001-1051	1
NUT,LOCK,10MM,BLACK (Ref # 92015)	92015-1189	1
NUT,FLANGED,12MM (Ref # 92015A)	92015-1433	1
NUT,FLANGED,10MM (Ref # 92015B)	92015-1502	1
NUT,12MM,LEFT SCREW (Ref # 92015C)	92015-1532	1
WASHER,12.4X28X4.5 (Ref # 92022)	92022-1196	1
WASHER,10.5X26X2.3,BLACK (Ref # 92022A)	92022-1396	1
WASHER,10.5X18X1.6 (Ref # 92022B)	92022-1539	1
SEAL (Ref # 92093)	92093-1313	1
DAMPER,STEERING GEAR (Ref # 92160)	92160-1084	1
WASHER,15X45X0.6 (Ref # 92200)	92200-1130	1