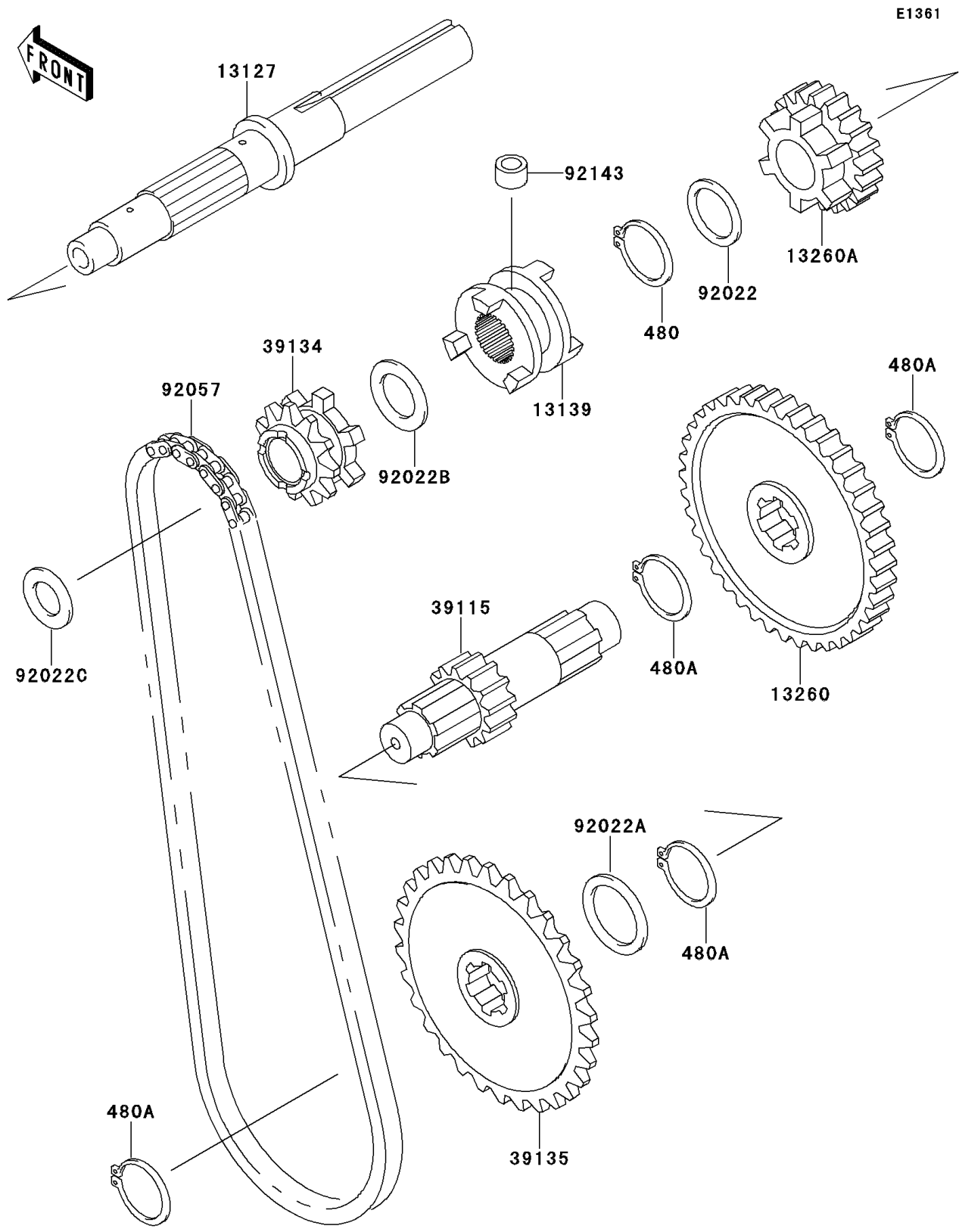


Mule 500 PARTS DIAGRAM

Transmission



Mule 500 PARTS LIST

Transmission

| ITEM NAME | PART NUMBER | QUANTITY |
|--|-------------|----------|
| CIRCLIP-TYPE-C,25MM (Ref # 480) | 480J2500 | 1 |
| CIRCLIP-TYPE-C,28MM (Ref # 480A) | 480J2800 | 1 |
| SHAFT-TRANSMISSION INPUT (Ref # 13127) | 13127-1203 | 1 |
| SHIFTER (Ref # 13139) | 13139-1070 | 1 |
| GEAR,OUTPUT FORWARD,55T (Ref # 13260) | 13260-1152 | 1 |
| GEAR,INPUT FORWARD,24T (Ref # 13260A) | 13260-1336 | 1 |
| SHAFT,OUTPUT REDUCTION,13T (Ref # 39115) | 39115-1070 | 1 |
| SPROCKET-DRIVE,19T (Ref # 39134) | 39134-1054 | 1 |
| GEAR,51T (Ref # 39135) | 39135-1053 | 1 |
| WASHER,25.3X33X1 (Ref # 92022) | 92022-1109 | 1 |
| WASHER,28.3X34X0.3 (Ref # 92022A) | 92022-1626 | 1 |
| WASHER,22.3X35X2.0 (Ref # 92022B) | 92022-1723 | 1 |
| WASHER,17.3X30X1.4 (Ref # 92022C) | 92022-270 | 1 |
| CHAIN,REVERSE (Ref # 92057) | 92057-1349 | 1 |
| COLLAR,8X14X10.5 (Ref # 92143) | 92143-1497 | 1 |