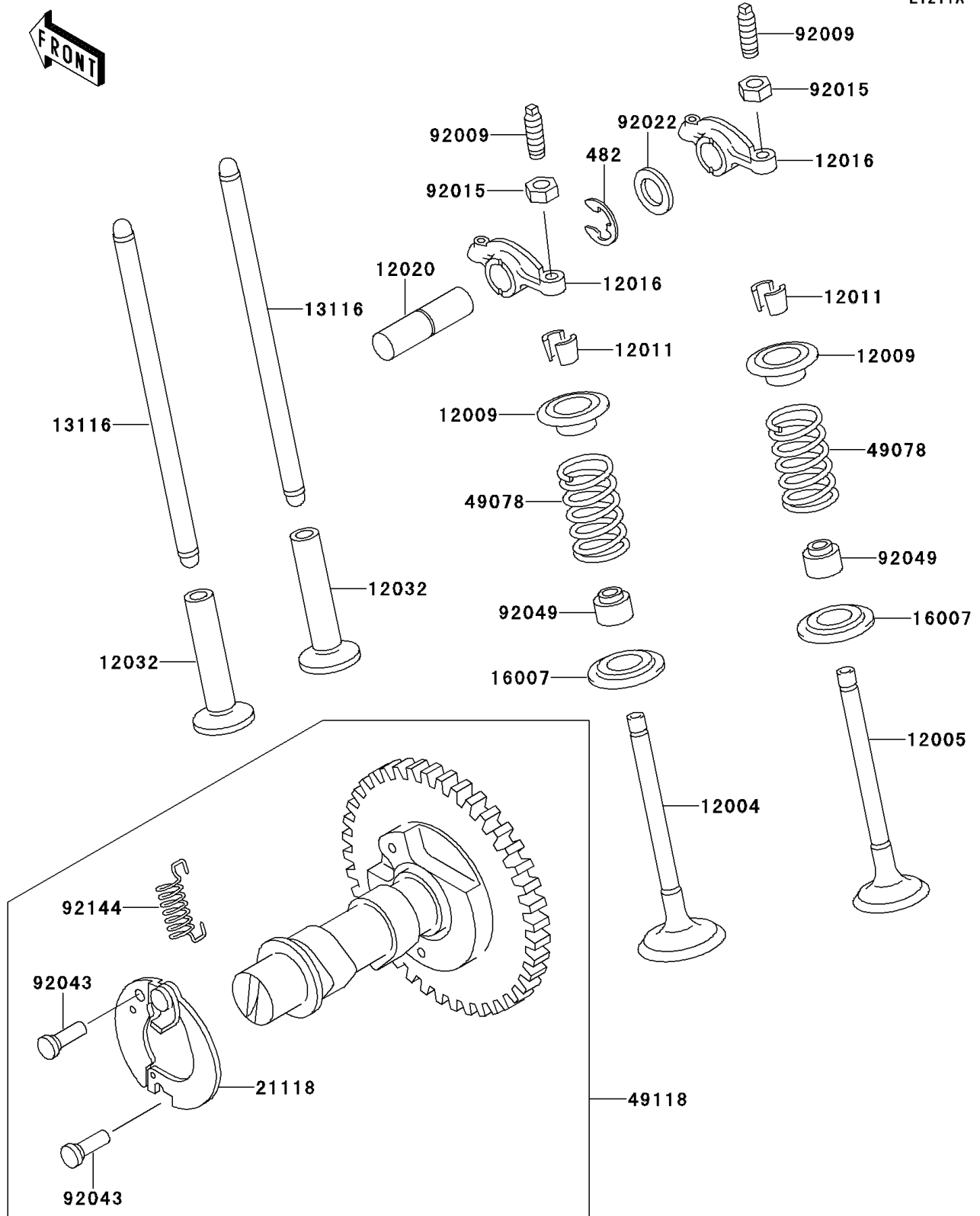


## Mule 500 PARTS DIAGRAM

Valve(s)/Camshaft(s)(KAF300-B2)

E1211A



## Mule 500 PARTS LIST

Valve(s)/Camshaft(s)(KAF300-B2)

ITEM NAME	PART NUMBER	QUANTITY
CIRCLIP-TYPE-E,10MM (Ref # 482)	482J0100	1
VALVE-INTAKE (Ref # 12004)	12004-2084	1
VALVE-EXHAUST (Ref # 12005)	12005-2077	1
RETAINER-VALVE SPRING (Ref # 12009)	12009-2060	1
COLLET (Ref # 12011)	12011-2052	1
ARM-ROCKER (Ref # 12016)	12016-2058	1
SHAFT-ROCKER (Ref # 12020)	12020-2060	1
TAPPET (Ref # 12032)	12032-2060	1
ROD-PUSH (Ref # 13116)	13116-2054	1
SEAT-SPRING (Ref # 16007)	16007-2052	1
DECOMPRESSOR (Ref # 21118)	21118-2074	1
SPRING-ENGINE VALVE (Ref # 49078)	49078-2060	1
CAMSHAFT-COMP (Ref # 49118)	49118-2081	1
SCREW, VALVE ADJUST (Ref # 92009)	92009-1109	1
NUT, VALVE ADJUST LOCK (Ref # 92015)	92015-1137	1
WASHER, 12.1X19X1.6 (Ref # 92022)	92022-2397	1
PIN, 5X17.6 (Ref # 92043)	92043-2113	1
SEAL-OIL, VSB-7X12X9.7 (Ref # 92049)	92049-2100	1
SPRING (Ref # 92144)	92144-2166	1