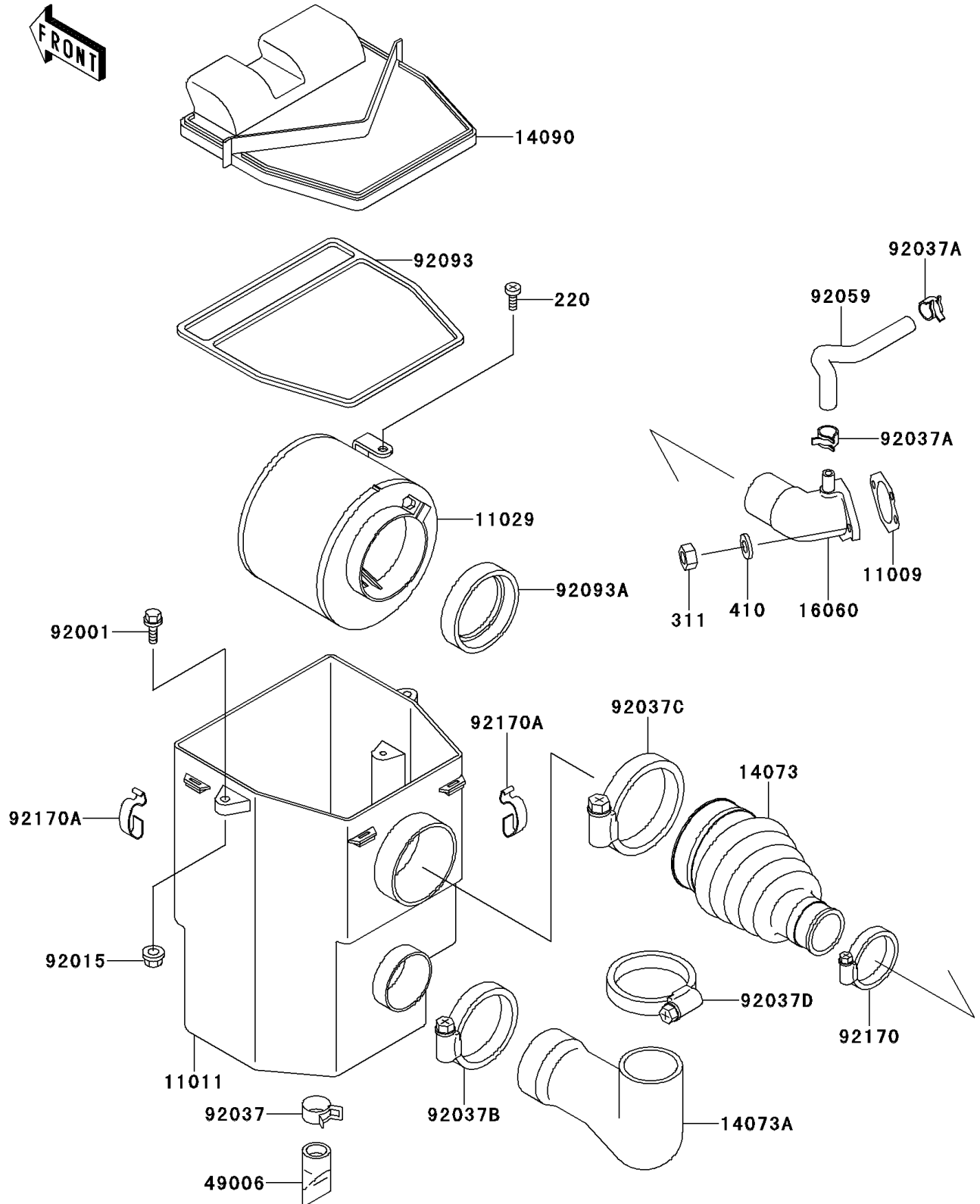


## Mule 500 PARTS DIAGRAM

Air Cleaner

E1130



## Mule 500 PARTS LIST

Air Cleaner

| ITEM NAME                             | PART NUMBER | QUANTITY |
|---------------------------------------|-------------|----------|
| SCREW-PAN-CROS,6X14 (Ref # 220)       | 220B0614    | 1        |
| NUT-HEX,6MM (Ref # 311)               | 311B0600    | 1        |
| WASHER-PLAIN-SMALL,6MM (Ref # 410)    | 410B0600    | 1        |
| GASKET (Ref # 11009)                  | 11009-2925  | 1        |
| CASE-AIR FILTER (Ref # 11011)         | 11011-1367  | 1        |
| ELEMENT-ASSY-AIR FILTER (Ref # 11029) | 11029-1004  | 1        |
| DUCT,AIR FILTER (Ref # 14073)         | 14073-1453  | 1        |
| DUCT,AIR INTAKE (Ref # 14073A)        | 14073-1491  | 1        |
| COVER,AIR FILTER (Ref # 14090)        | 14090-1106  | 1        |
| PIPE-INTAKE (Ref # 16060)             | 16060-2151  | 1        |
| BOOT (Ref # 49006)                    | 49006-1199  | 1        |
| BOLT,6X25,W/WASHER (Ref # 92001)      | 92001-1140  | 1        |
| NUT,FLANGED,6MM (Ref # 92015)         | 92015-1193  | 1        |
| CLAMP (Ref # 92037)                   | 92037-1460  | 1        |
| CLAMP (Ref # 92037A)                  | 92037-2002  | 1        |
| CLAMP (Ref # 92037B)                  | 92037-3009  | 1        |
| CLAMP (Ref # 92037C)                  | 92037-3711  | 1        |
| CLAMP (Ref # 92037D)                  | 92037-506   | 1        |
| TUBE (Ref # 92059)                    | 92059-2280  | 1        |
| SEAL,AIR FILTER (Ref # 92093)         | 92093-1241  | 1        |
| SEAL,DUST (Ref # 92093A)              | 92093-1322  | 1        |
| CLAMP (Ref # 92170)                   | 92170-1036  | 1        |
| CLAMP,AIR FILTER (Ref # 92170A)       | 92170-1211  | 1        |