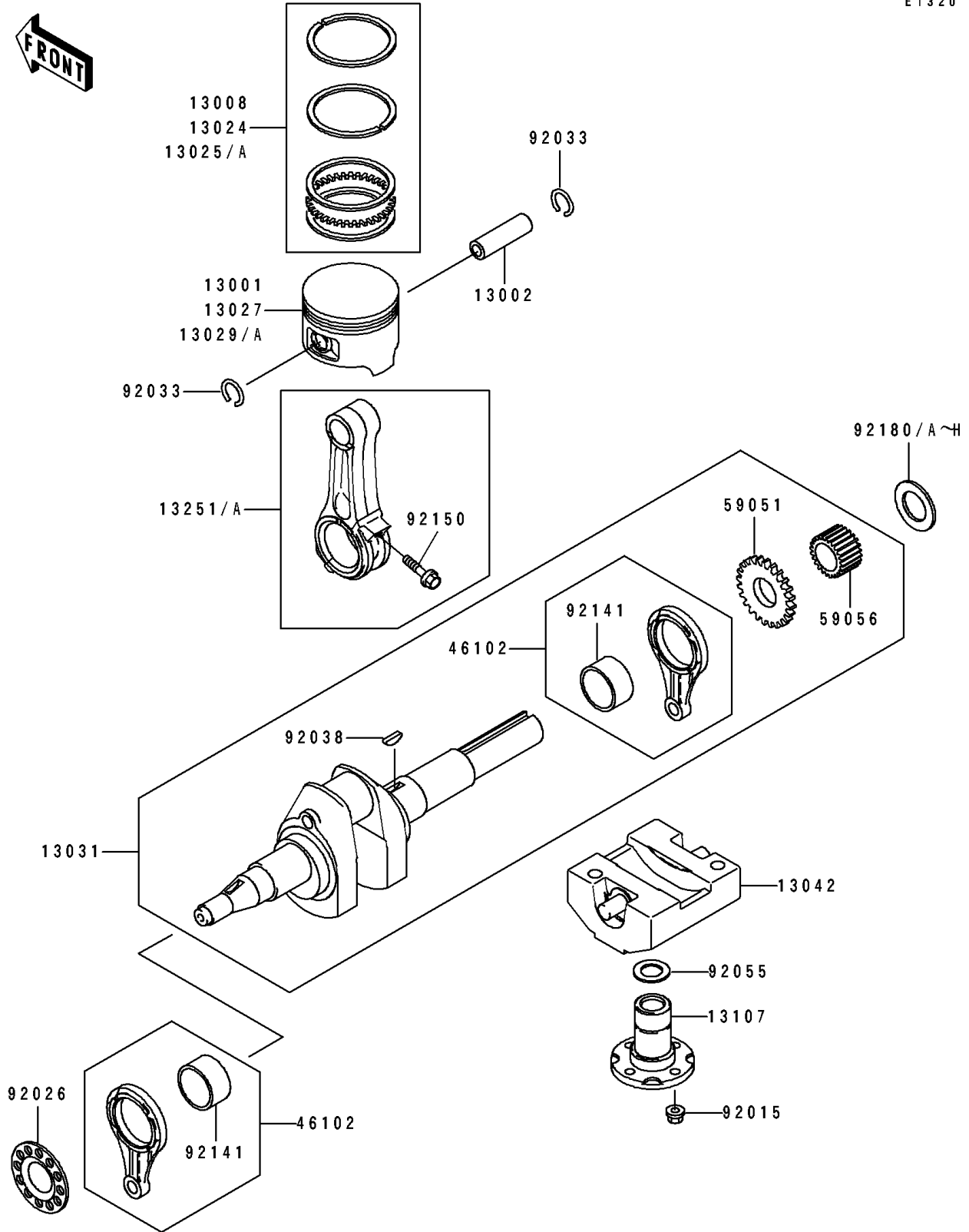


Mule 500 PARTS DIAGRAM

Crankshaft/Piston

E1320



Mule 500 PARTS LIST

Crankshaft/Piston

ITEM NAME	PART NUMBER	QUANTITY
PISTON-ENGINE,STD (Ref # 13001)	13001-2125	1
PIN-PISTON (Ref # 13002)	13002-2069	1
RING-SET-PISTON,STD (Ref # 13008)	13008-6007	1
RING-SET-PISTON LL,0.75 (Ref # 13024)	13024-2051	AR
RING-SET-PISTON L,0.25 (Ref # 13025)	13025-2073	AR
RING-SET-PISTON L,0.50 (Ref # 13025A)	13025-2074	AR
PISTON-ENGINE LL,0.75 (Ref # 13027)	13027-2060	AR
PISTON-ENGINE L,0.25 (Ref # 13029)	13029-2100	AR
PISTON-ENGINE L,0.50 (Ref # 13029A)	13029-2101	AR
CRANKSHAFT-COMP (Ref # 13031)	13031-2060	1
WEIGHT (Ref # 13042)	13042-6009	1
SHAFT (Ref # 13107)	13107-2088	1
ROD-ASSY-CONNECTING (Ref # 13251)	13251-6033	1
ROD-ASSY-CONNECTING,U/S=0.50 (Ref # 13251A)	13251-6034	AR
ROD (Ref # 46102)	46102-6004	2
GEAR-SPUR (Ref # 59051)	59051-2097	1
GEAR-HELICAL (Ref # 59056)	59056-2840	1
NUT,FLANGED,6MM (Ref # 92015)	92015-1193	4
SPACER (Ref # 92026)	92026-2052	1
RING-SNAP,PISTON PIN (Ref # 92033)	92036-008	2
KEY,WOODRUFF (Ref # 92038)	92038-2094	1
RING-O (Ref # 92055)	92055-2072	1
BEARING-PLANE (Ref # 92141)	92141-2090	2
BOLT (Ref # 92150)	92002-2053	2
SHIM,T=1.13 (Ref # 92180)	92025-2168	AR
SHIM,T=1.18 (Ref # 92180A)	92025-2169	AR
SHIM,T=1.23 (Ref # 92180B)	92025-2170	AR
SHIM,T=1.28 (Ref # 92180C)	92025-2171	AR
SHIM,T=1.33 (Ref # 92180D)	92025-2172	AR

Mule 500 PARTS LIST

Crankshaft/Piston

ITEM NAME	PART NUMBER	QUANTITY
SHIM,T=1.38 (Ref # 92180E)	92025-2173	AR
SHIM,T=1.43 (Ref # 92180F)	92025-2174	AR
SHIM,T=1.48 (Ref # 92180G)	92025-2175	AR
SHIM,T=1.53 (Ref # 92180H)	92025-2207	AR