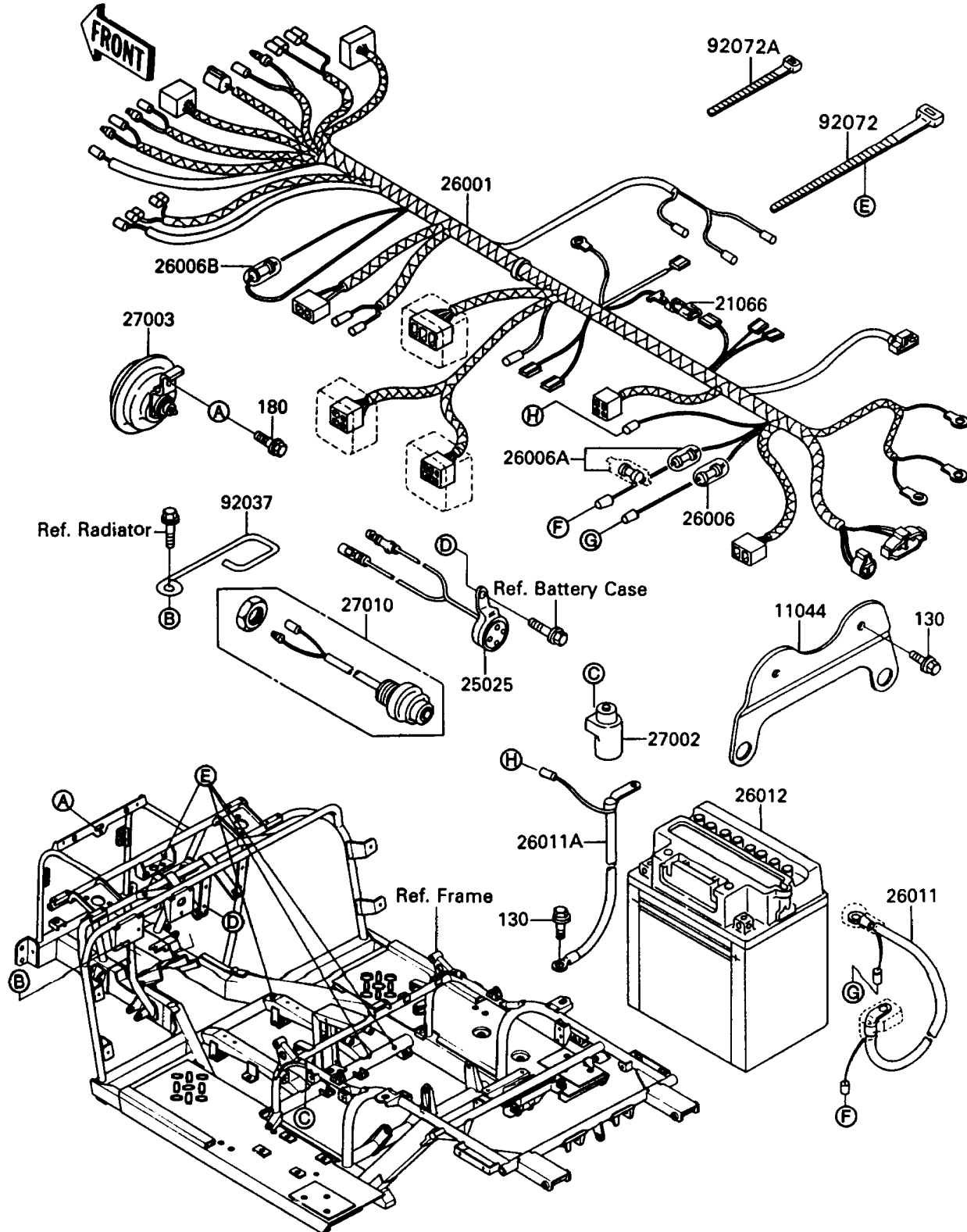


Mule 1000 PARTS DIAGRAM

Chassis Electrical Equipment

F2760-0401



Mule 1000 PARTS LIST

Chassis Electrical Equipment

ITEM NAME	PART NUMBER	QUANTITY
BOLT-FLANGED,6X10 (Ref # 130)	130B0610	1
BOLT-UPSET-WS (Ref # 180)	180D0614	1
BRACKET,TAIL LAMP (Ref # 11044)	11044-1367	1
REGULATOR-VOLTAGE (Ref # 21066)	21066-026	1
WARNER (Ref # 25025)	25025-1051	1
HARNESS,MAIN (Ref # 26001)	26001-1870	1
FUSE,20A,L=30 (Ref # 26006)	26006-1056	1
FUSE,30A,L=30 (Ref # 26006A)	26006-1059	1
FUSE,8A,L=30 (Ref # 26006B)	26006-1062	1
WIRE-LEAD,BATTERY(+) (Ref # 26011)	26011-1406	1
WIRE-LEAD,BATTERY(-) (Ref # 26011A)	26011-1407	1
BATTERY,12V 19AM,YB16CL-B (Ref # 26012)	26012-1149	1
RELAY-ASSY (Ref # 27002)	27002-1051	1
HORN (Ref # 27003)	27003-1276	1
SWITCH,HORN (Ref # 27010)	27010-1241	1
CLAMP,HOSE (Ref # 92037)	92037-1775	1
BAND,L=365 (Ref # 92072)	92072-1197	1
BAND,L=188 (Ref # 92072A)	92072-1239	1