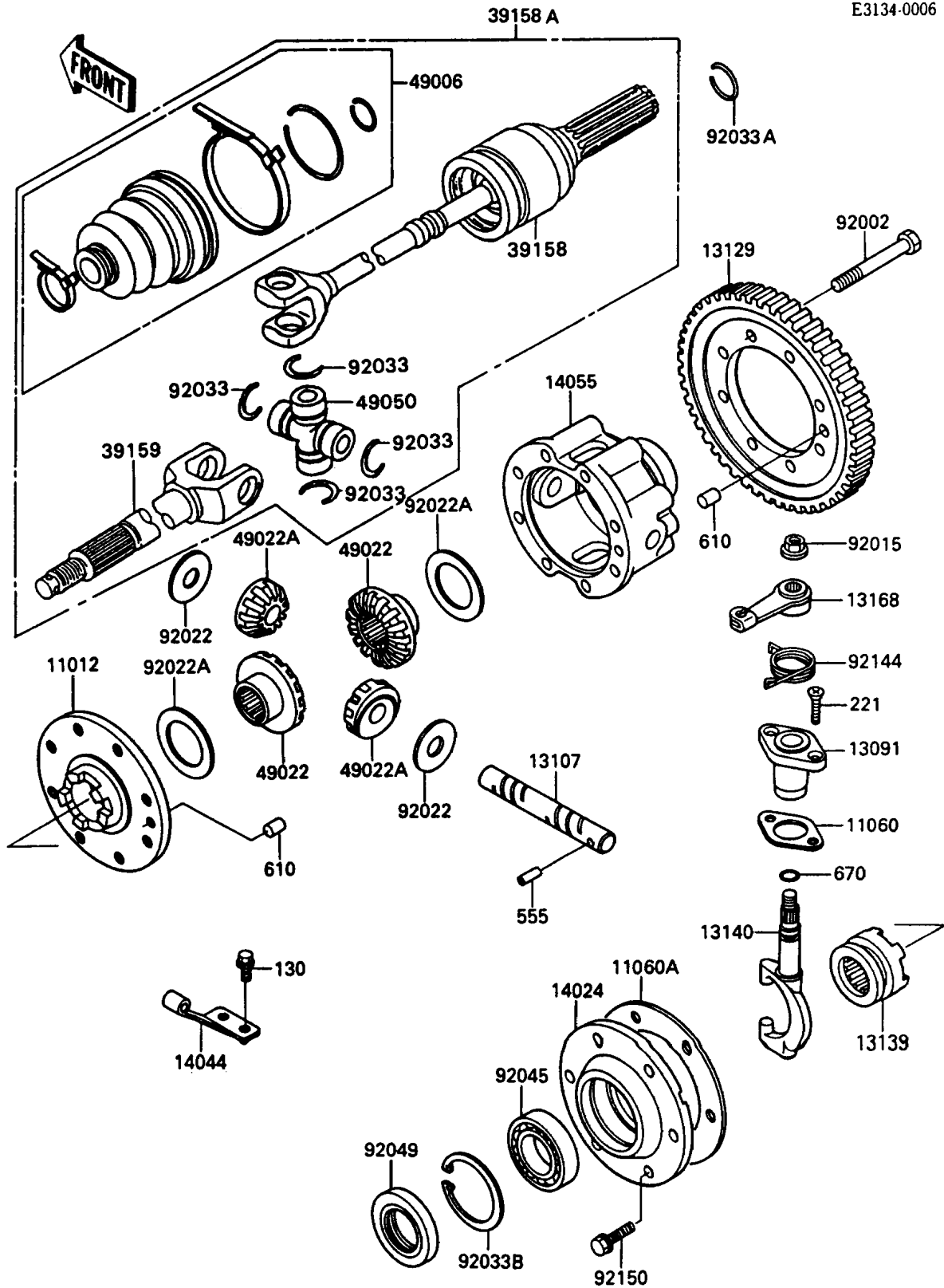


Mule 1000 PARTS DIAGRAM

Drive Shaft

E3134-0006



Mule 1000 PARTS LIST

Drive Shaft

ITEM NAME	PART NUMBER	QUANTITY
BOLT-FLANGED (Ref # 130)	130D0610	1
SCREW-CSK-CROS,6X18 (Ref # 221)	221B0618	1
PIN-SPRING (Ref # 555)	555A0528	1
ROLLER,8X12 (Ref # 610)	610A0812	1
O RING,10MM (Ref # 670)	670B2010	1
CAP,GEAR CASE (Ref # 11012)	11012-1613	1
GASKET,SHIFTER COVER (Ref # 11060)	11060-1247	1
GASKET,DRIVESHAFT COVER (Ref # 11060A)	11060-1251	1
HOLDER (Ref # 13091)	13091-1375	1
SHAFT (Ref # 13107)	13107-1219	1
GEAR,DIFFERENTIAL,67T (Ref # 13129)	13129-1897	1
SHIFTER (Ref # 13139)	13139-1054	1
FORK-SHIFT,DIFF LOCK (Ref # 13140)	13140-1136	1
LEVER,DIFF LOCK (Ref # 13168)	13168-1367	1
COVER,DRIVESHAFT (Ref # 14024)	14024-1560	1
HOLDER-CABLE (Ref # 14044)	14044-1061	1
CASE-GEAR (Ref # 14055)	14055-1081	1
SHAFT-ASSY-DRIVE (Ref # 39158)	39158-1066	1
SHAFT-ASSY-DRIVE (Ref # 39158A)	39158-1067	1
SHAFT-DRIVE (Ref # 39159)	39159-1063	1
BOOT,DRIVE SHAFT (Ref # 49006)	49006-1249	1
GEAR-BEVEL,16T (Ref # 49022)	49022-1101	1
GEAR-BEVEL,10T (Ref # 49022A)	49022-1105	1
SPIDER (Ref # 49050)	49050-1002	1
BOLT,8X68 (Ref # 92002)	92002-1553	1
NUT,FLANGED,8MM (Ref # 92015)	92015-1022	1
WASHER,14.5X38X1 (Ref # 92022)	92022-1686	1
WASHER (Ref # 92022A)	92022-1742	1
RING-SNAP (Ref # 92033)	92033-1032	1

Mule 1000 PARTS LIST

Drive Shaft

ITEM NAME	PART NUMBER	QUANTITY
RING-SNAP (Ref # 92033A)	92033-1240	1
RING-SNAP,55MM (Ref # 92033B)	92033-1274	1
BEARING-BALL,6006 (Ref # 92045)	92045-1208	1
SEAL-OIL,TC35X55X8 (Ref # 92049)	92049-1298	1
SPRING,LOCK LEVER (Ref # 92144)	92144-1198	1
BOLT (Ref # 92150)	92150-1007	1