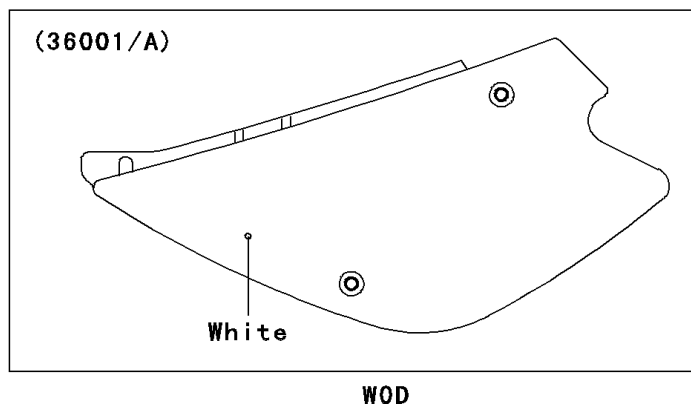
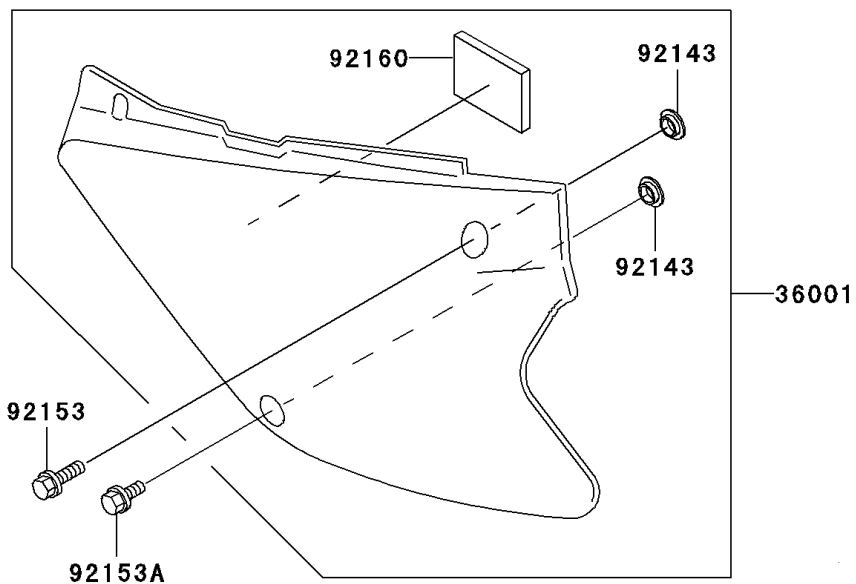
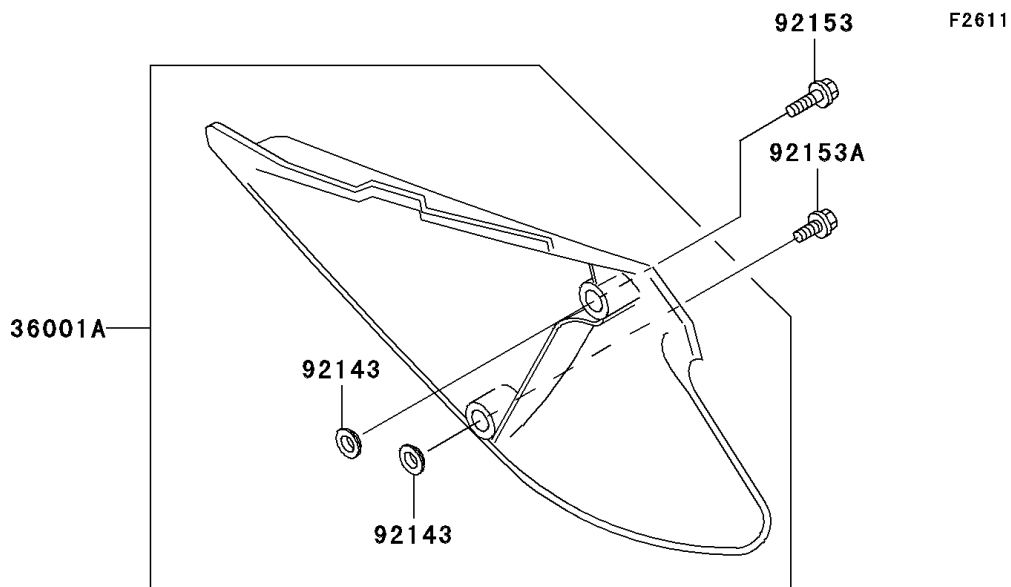


2009 KX™100 PARTS DIAGRAM

Side Covers



2009 KX™100 PARTS LIST

Side Covers

ITEM NAME	PART NUMBER	QUANTITY
COVER-SIDE,LH,S.WHITE (Ref # 36001)	36001-1584-266	1
COVER-SIDE,RH,S.WHITE (Ref # 36001A)	36001-1585-266	1
COLLAR (Ref # 92143)	92143-1196	1
BOLT,6X20 (Ref # 92153)	92153-0502	1
BOLT,FLANGED,6X14 (Ref # 92153A)	92153-0936	1
DAMPER (Ref # 92160)	92160-1899	1