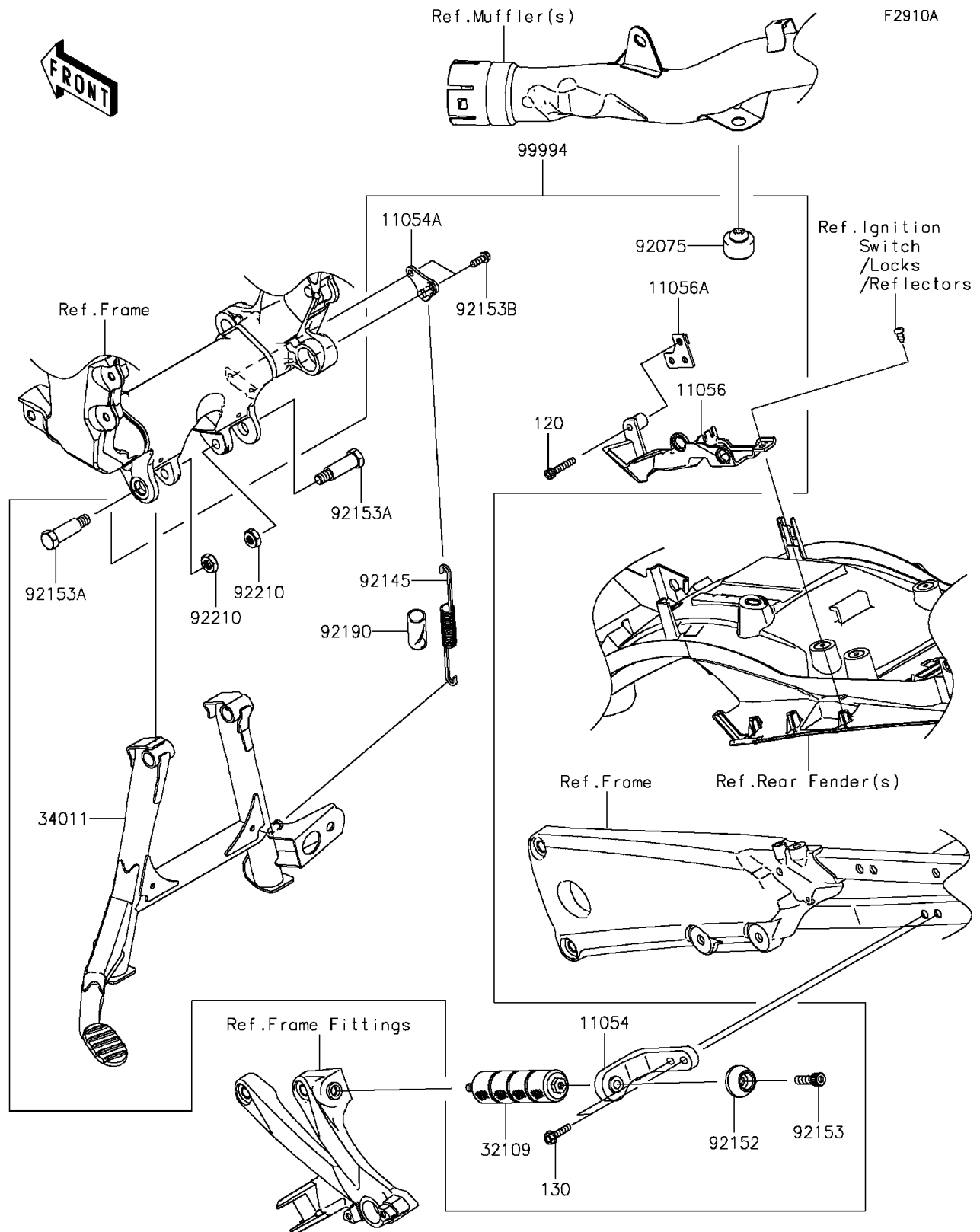


2015 NINJA® ZX™-14R ABS 30TH ANNIVERSARY PARTS DIAGRAM

Accessory(Centerstand)



2015 NINJA® ZX™-14R ABS 30TH ANNIVERSARY PARTS LIST

Accessory(Centerstand)

ITEM NAME	PART NUMBER	QUANTITY
-----------	-------------	----------