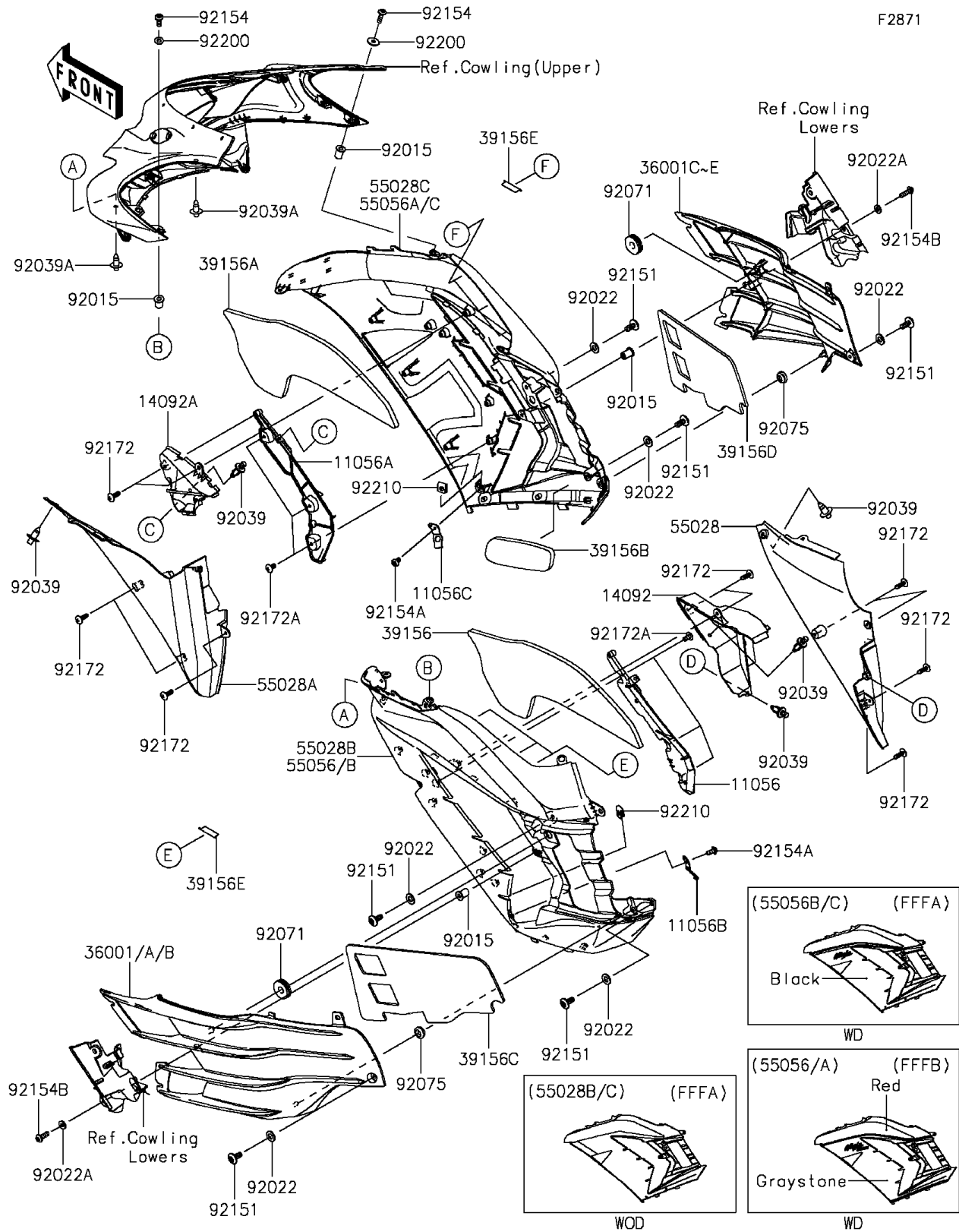


## 2015 NINJA® ZX™-14R ABS 30TH ANNIVERSARY PARTS DIAGRAM

### Cowling(Center)



## 2015 NINJA® ZX™-14R ABS 30TH ANNIVERSARY PARTS LIST

Cowling(Center)

ITEM NAME	PART NUMBER	QUANTITY
-----------	-------------	----------