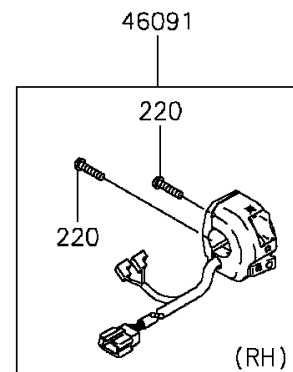
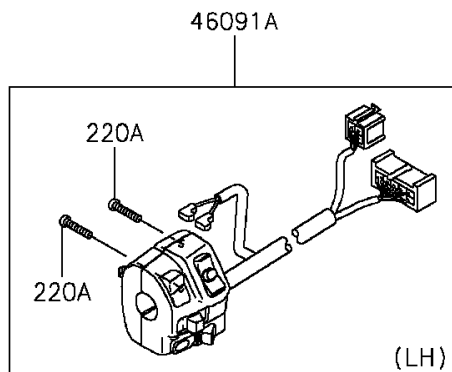
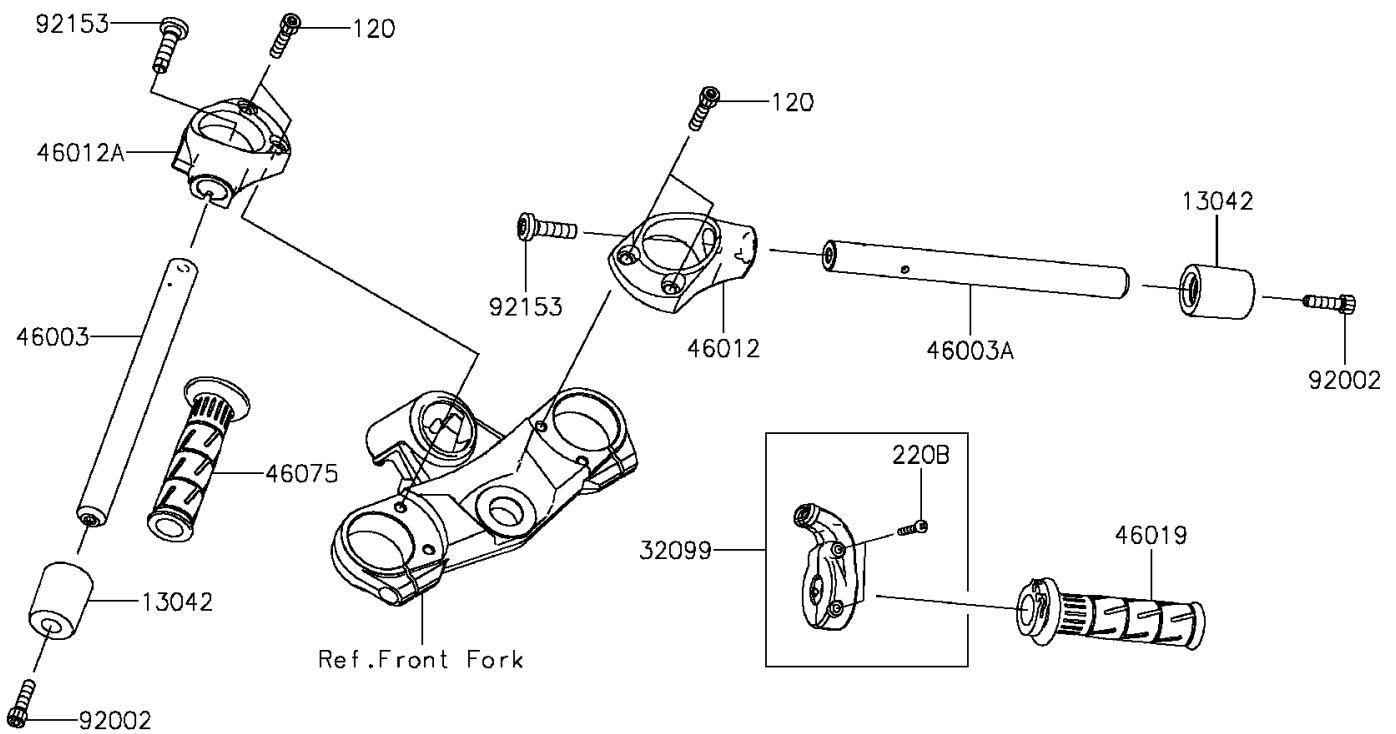


2015 NINJA® ZX™-14R ABS 30TH ANNIVERSARY PARTS DIAGRAM

Handlebar

F2310



2015 NINJA® ZX™-14R ABS 30TH ANNIVERSARY PARTS LIST

Handlebar

ITEM NAME	PART NUMBER	QUANTITY
-----------	-------------	----------