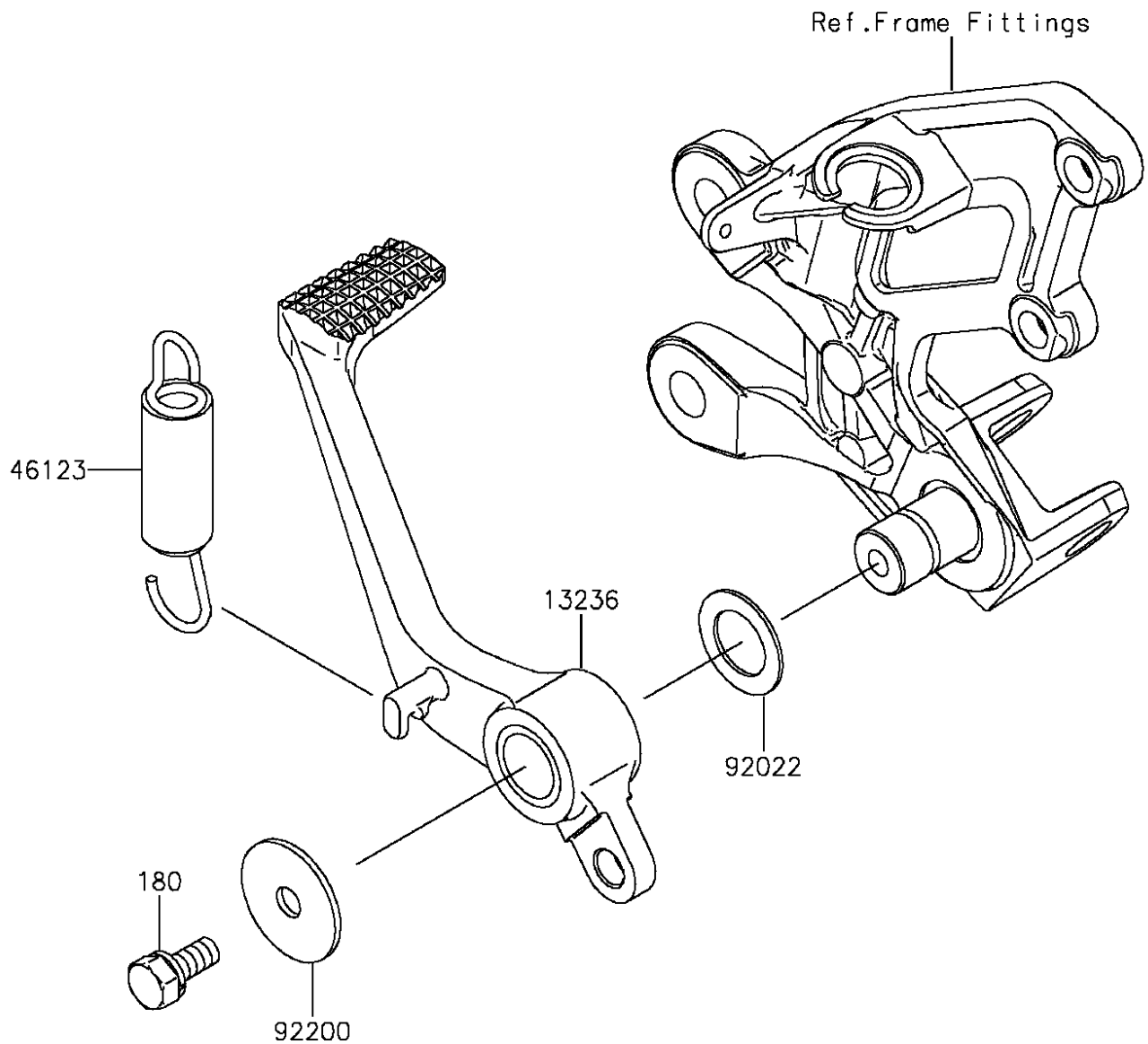


2015 NINJA® ZX™-14R ABS 30TH ANNIVERSARY PARTS DIAGRAM

Brake Pedal/Torque Link

F2260



2015 NINJA® ZX™-14R ABS 30TH ANNIVERSARY PARTS LIST

Brake Pedal/Torque Link

ITEM NAME	PART NUMBER	QUANTITY
-----------	-------------	----------