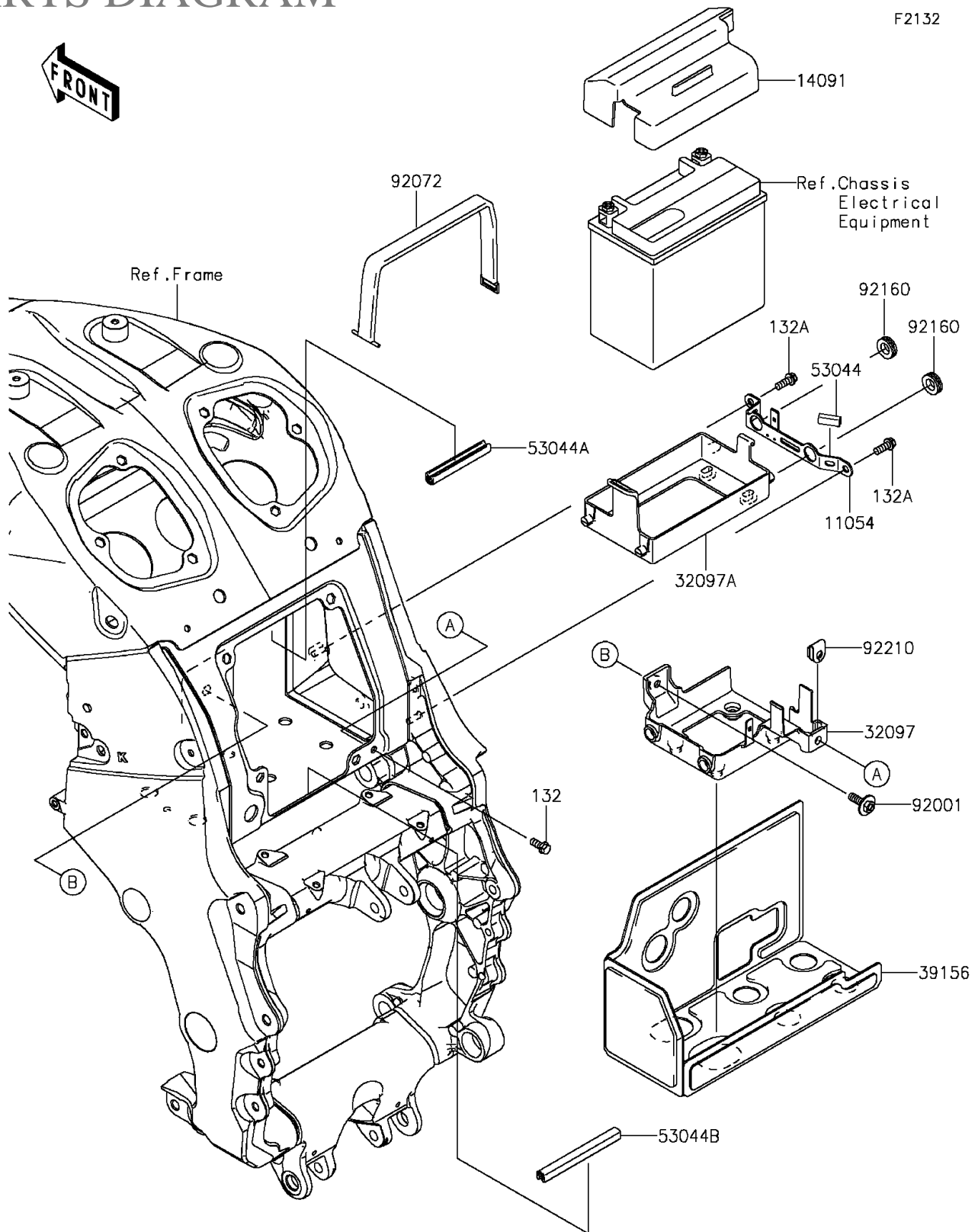


## 2015 NINJA® ZX™-14R ABS 30TH ANNIVERSARY Battery Case PARTS DIAGRAM



## 2015 NINJA® ZX™-14R ABS 30TH ANNIVERSARY

### Battery Case PARTS LIST

ITEM NAME

PART NUMBER

QUANTITY