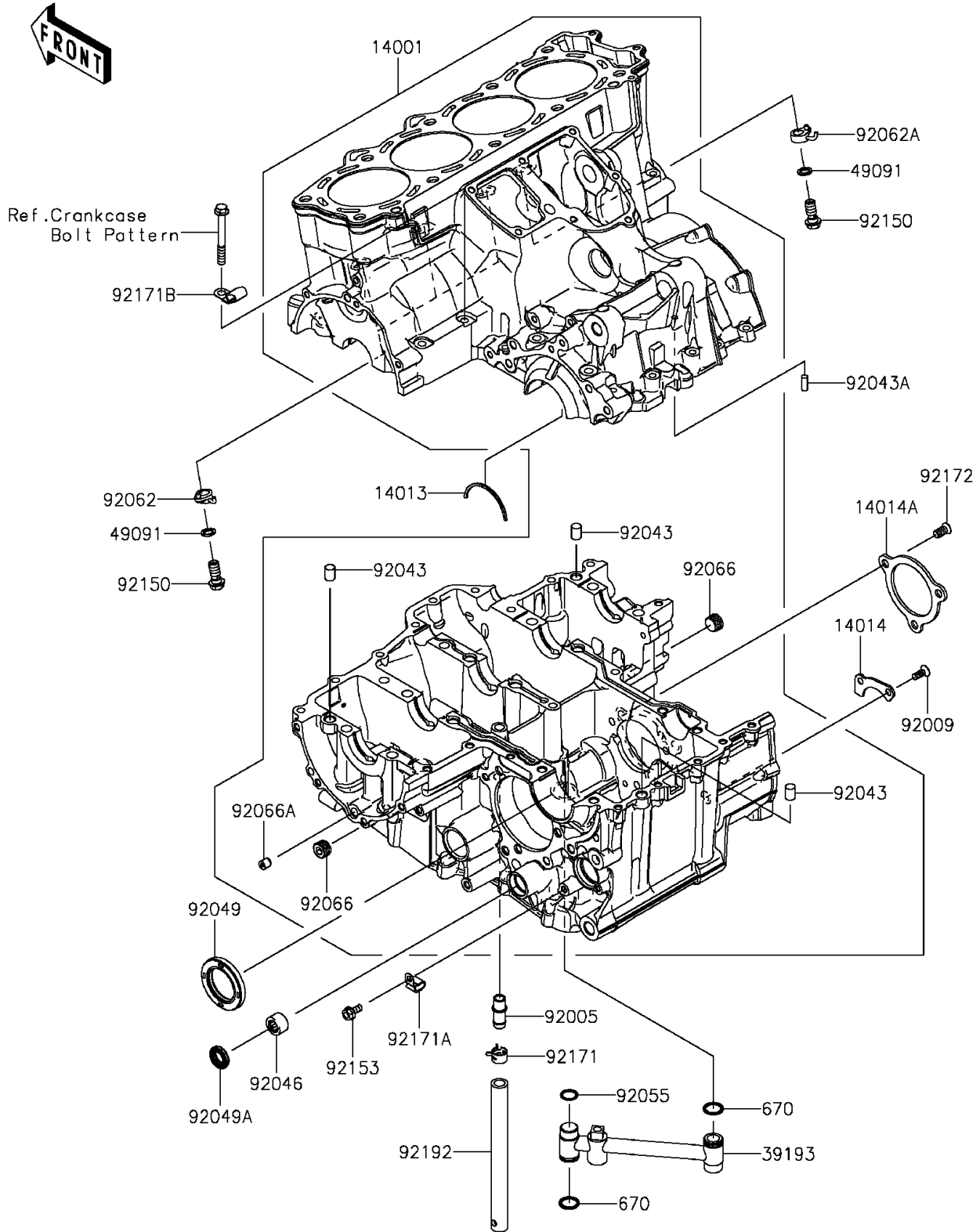


## 2015 NINJA® ZX™-14R ABS 30TH ANNIVERSARY Crankcase PARTS DIAGRAM

E1411



## 2015 NINJA® ZX™-14R ABS 30TH ANNIVERSARY

### CRANKCASE PARTS LIST

ITEM NAME	PART NUMBER	QUANTITY
-----------	-------------	----------