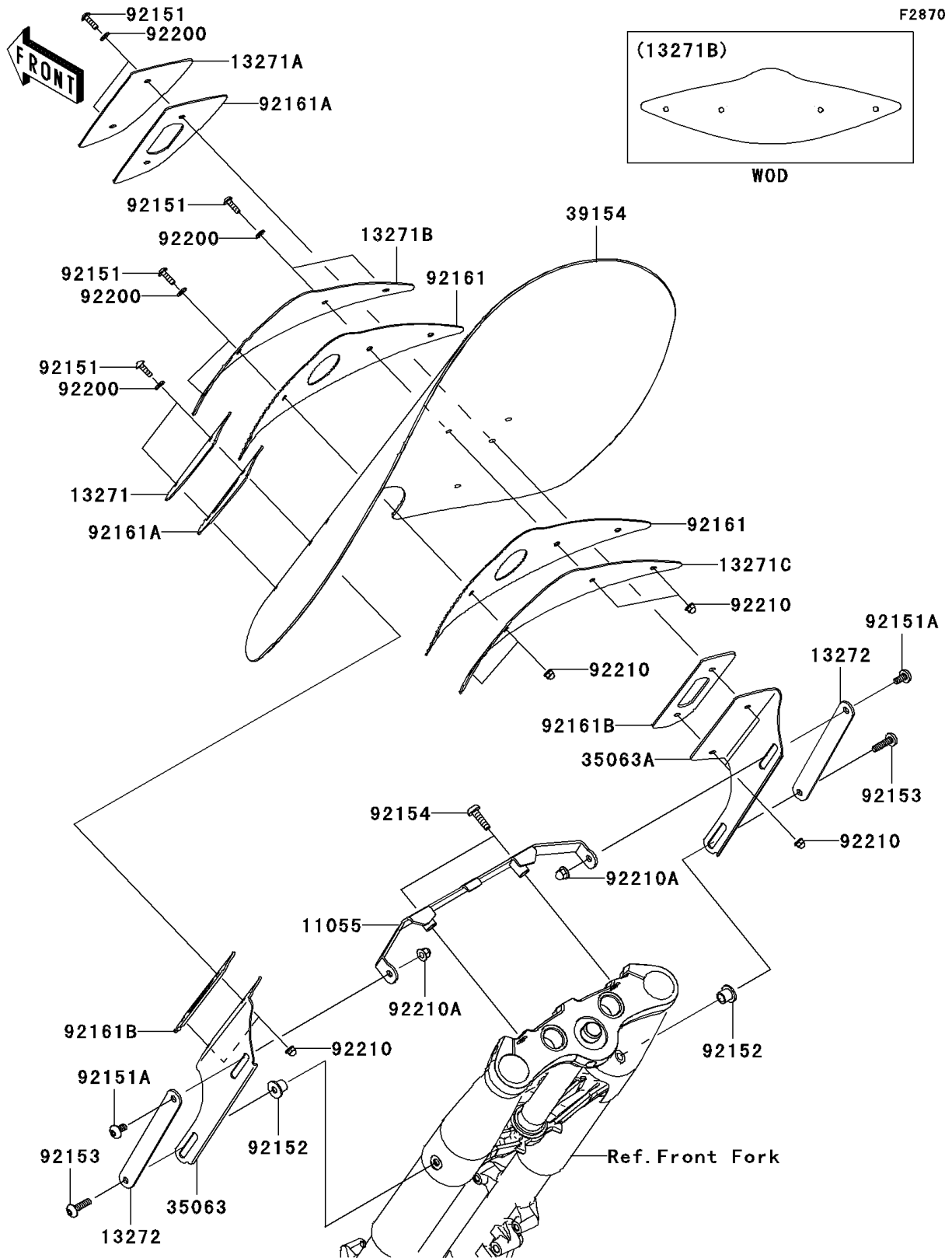


# 2009 Vulcan® 1700 Classic LT

## PARTS DIAGRAM

### Cowling



# 2009 Vulcan® 1700 Classic LT

## PARTS LIST

### Cowling

ITEM NAME	PART NUMBER	QUANTITY
BRACKET (Ref # 11055)	11055-1897	1
PLATE,WINDSHIELD,LH,OUTER (Ref # 13271)	13271-0704	1
PLATE,WINDSHIELD,RH,OUTER (Ref # 13271A)	13271-0705	1
PLATE,WINDSHIELD,CNT,OUTER (Ref # 13271B)	13271-0706	1
PLATE,WINDSHIELD,CNT,INNER (Ref # 13271C)	13271-0707	1
PLATE,WINDSHIELD (Ref # 13272)	13272-0750	2
STAY,WINDSHIELD,LH (Ref # 35063)	35063-0595	1
STAY,WINDSHIELD,RH (Ref # 35063A)	35063-0596	1
WINDSHIELD,MAIN (Ref # 39154)	39154-0044	1
BOLT,SOCKET,6X20 (Ref # 92151)	92151-1750	8
BOLT,SOCKET,8X16 (Ref # 92151A)	92151-1752	2
COLLAR (Ref # 92152)	92152-0742	2
BOLT,SOCKET,8X30 (Ref # 92153)	92153-1467	2
BOLT,SOCKET,8X40 (Ref # 92154)	92154-0186	2
DAMPER,WINDSHIELD,CNT (Ref # 92161)	92161-0330	2
DAMPER,WINDSHIELD,OUTER,LH&RH (Ref # 92161A)	92161-0332	2
DAMPER,WINDSHIELD,INNER,LH&RH (Ref # 92161B)	92161-0677	2
WASHER,6.5X14.5X1.5 (Ref # 92200)	92200-3775	8
NUT,CAP,6MM (Ref # 92210)	92210-0220	8
NUT,CAP,8MM (Ref # 92210A)	92210-1132	2