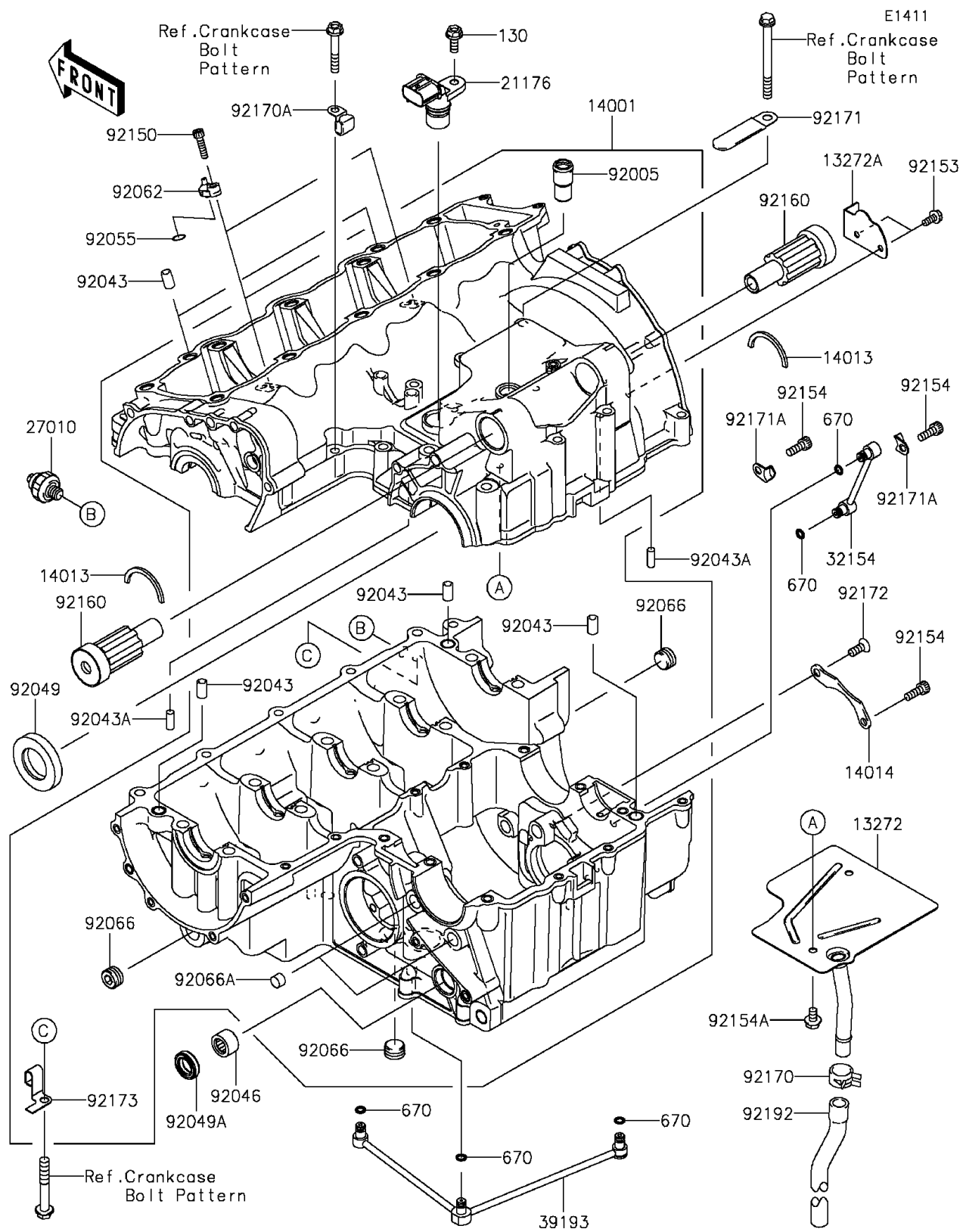


2013 ZR800 (European) PARTS DIAGRAM

Crankcase



2013 ZR800 (European) PARTS LIST

Crankcase

ITEM NAME	PART NUMBER	QUANTITY
BOLT-FLANGED,6X16 (Ref # 130)	130CC0616	1
O RING (Ref # 670)	670D1505	1
PLATE,BREATHER UPPER (Ref # 13272)	13272-1254	1
PLATE,BREATHER SIDE (Ref # 13272A)	13272-1255	1
SET-CRANKCASE (Ref # 14001)	14001-0616	1
RING-POSITION (Ref # 14013)	14013-1051	1
PLATE-POSITION (Ref # 14014)	14014-0563	1
SENSOR,SPEED (Ref # 21176)	21176-0054	1
SWITCH,OIL PRESSURE (Ref # 27010)	27010-1313	1
PIPE,RH (Ref # 32154)	32154-1493	1
PIPE-OIL (Ref # 39193)	39193-0014	1
FITTING,BREATHER (Ref # 92005)	92005-0713	1
PIN,DOWEL,10X14 (Ref # 92043)	92043-1037	1
PIN,6X16 (Ref # 92043A)	92043-1690	1
BEARING-NEEDLE,HK1412FM (Ref # 92046)	92046-0043	1
SEAL-OIL,TC32578 (Ref # 92049)	92049-1474	1
SEAL-OIL,TC14245 (Ref # 92049A)	92049-1520	1
RING-O,5.5X1.5 (Ref # 92055)	92055-1343	1
NOZZLE,OIL JET (Ref # 92062)	92062-0022	1
PLUG,PT3/8X10 (Ref # 92066)	92066-0003	1
PLUG (Ref # 92066A)	92066-1110	1
BOLT,SOCKET,5X20 (Ref # 92150)	92150-1019	1
BOLT,FLANGED,5X12 (Ref # 92153)	92153-0753	1
BOLT,SOCKET,6X16 (Ref # 92154)	92154-0235	1
BOLT,FLANGED,6X10 (Ref # 92154A)	92154-0356	1
DAMPER (Ref # 92160)	92160-1868	1
CLAMP (Ref # 92170)	92170-1118	1
CLAMP (Ref # 92170A)	92170-1577	1
CLAMP (Ref # 92171)	92171-0092	1

2013 ZR800 (European) PARTS LIST

Crankcase

ITEM NAME	PART NUMBER	QUANTITY
CLAMP,OIL PIPE (Ref # 92171A)	92171-1595	1
SCREW,6X16 (Ref # 92172)	92172-0090	1
CLAMP (Ref # 92173)	92173-1034	1
TUBE,BREATHER (Ref # 92192)	92192-1104	1