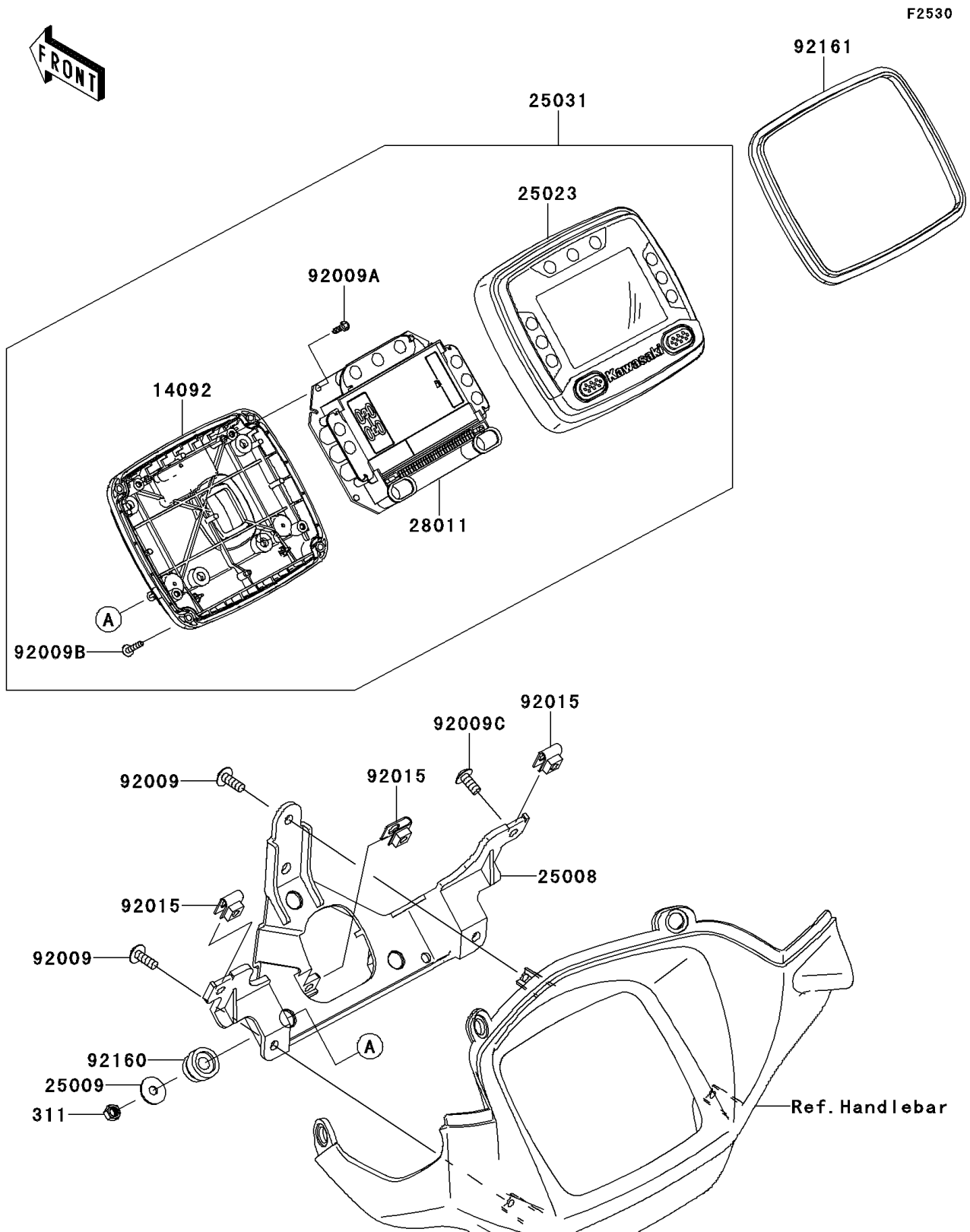


2013 BRUTE FORCE® 750 4x4i PARTS DIAGRAM

Meter(s)



2013 BRUTE FORCE® 750 4x4i PARTS LIST

Meter(s)

| ITEM NAME | PART NUMBER | QUANTITY |
|------------------------------------|-------------|----------|
| NUT-HEX (Ref # 311) | 311AB0500 | 1 |
| COVER,LWR CASE (Ref # 14092) | 14092-0179 | 1 |
| BRACKET-METER (Ref # 25008) | 25008-0034 | 1 |
| WASHER,5.2X16X1.2 (Ref # 25009) | 25009-004 | 1 |
| COVER-METER CASE,UPP (Ref # 25023) | 25023-0069 | 1 |
| METER-ASSY (Ref # 25031) | 25031-0363 | 1 |
| METER,LCD (Ref # 28011) | 28011-0181 | 1 |
| SCREW,TAPPING,5X14 (Ref # 92009) | 92009-1197 | 1 |
| SCREW,3X12 (Ref # 92009A) | 92009-1326 | 1 |
| SCREW,TAPPING,3X16 (Ref # 92009B) | 92009-1391 | 1 |
| SCREW,5X12 (Ref # 92009C) | 92009-1652 | 1 |
| NUT,5MM (Ref # 92015) | 92015-1573 | 1 |
| DAMPER (Ref # 92160) | 92160-1460 | 1 |
| DAMPER,METER (Ref # 92161) | 92161-0906 | 1 |