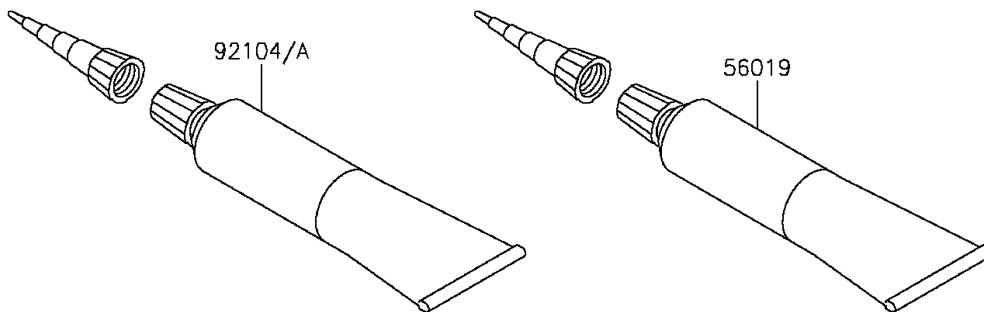
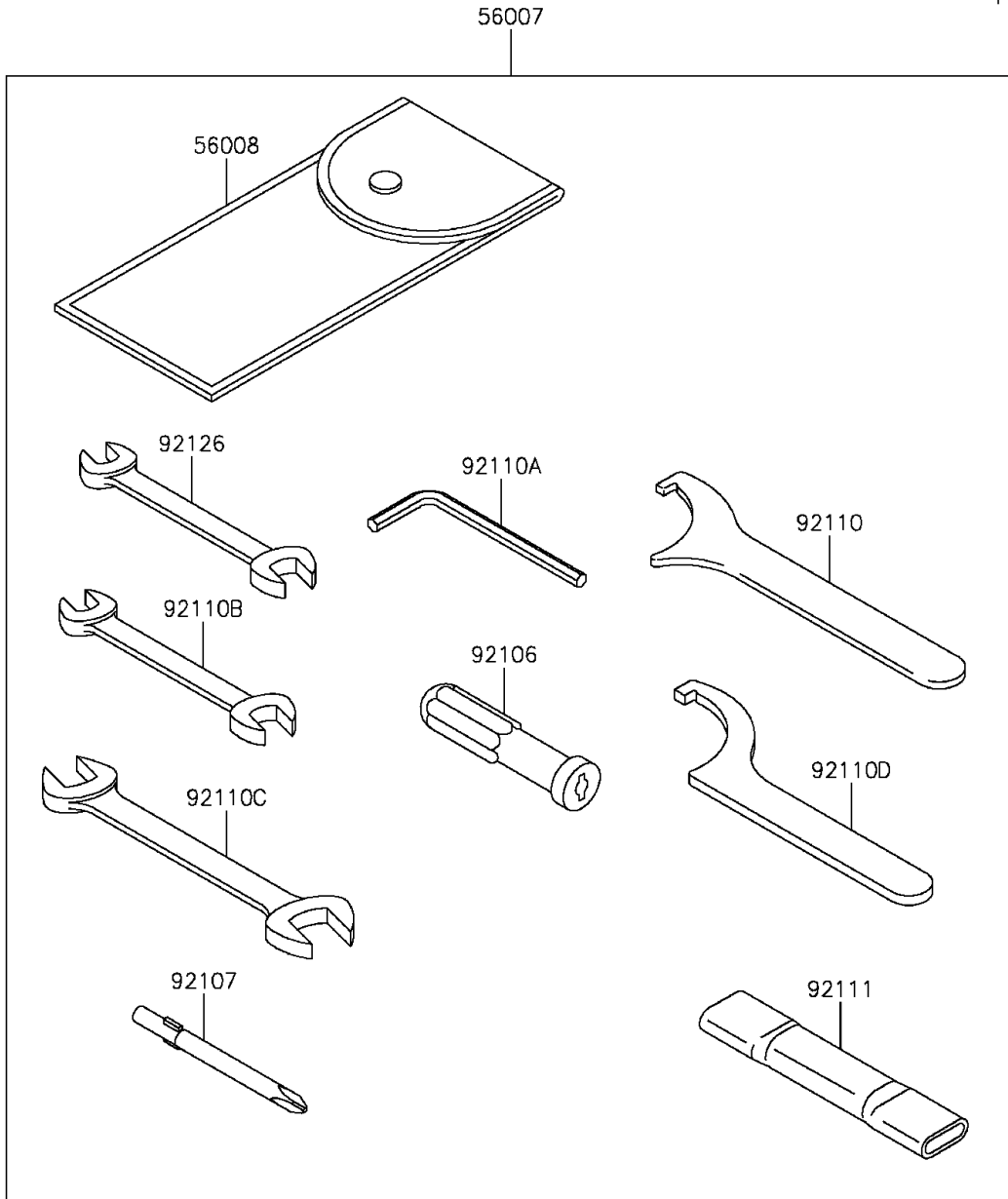


# 2015 VULCAN® 900 CLASSIC LT PARTS DIAGRAM

Owner's Tools

F2810



# 2015 VULCAN® 900 CLASSIC LT PARTS LIST

Owner's Tools

ITEM NAME	PART NUMBER	QUANTITY
-----------	-------------	----------