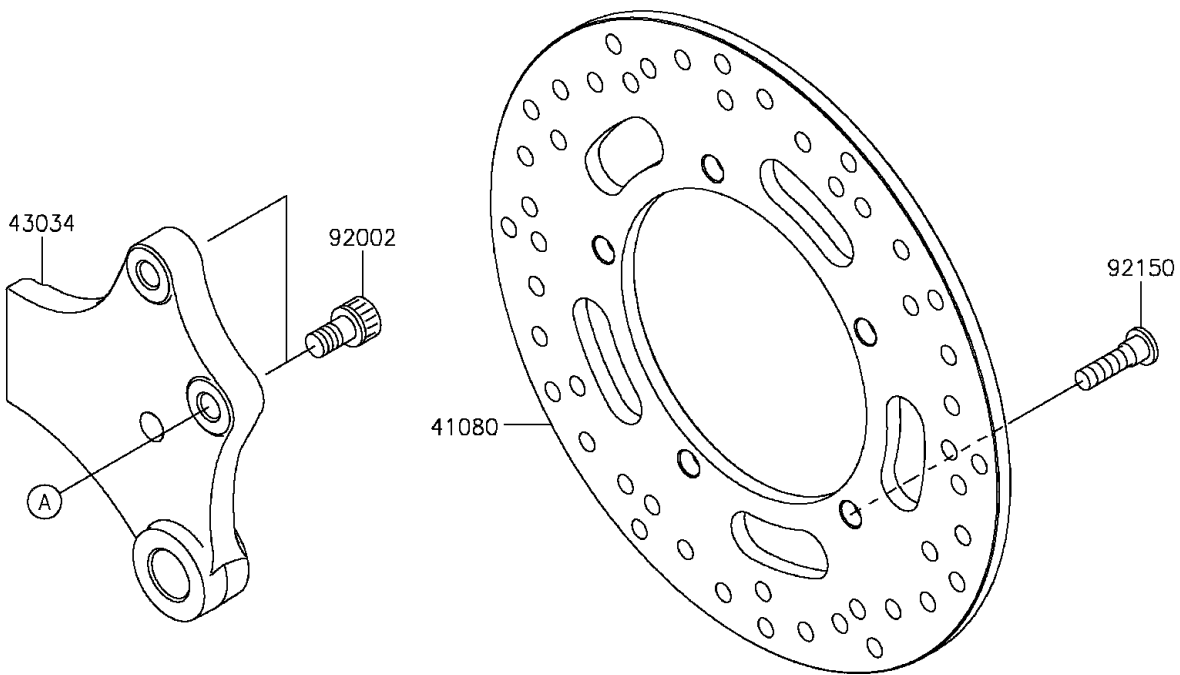
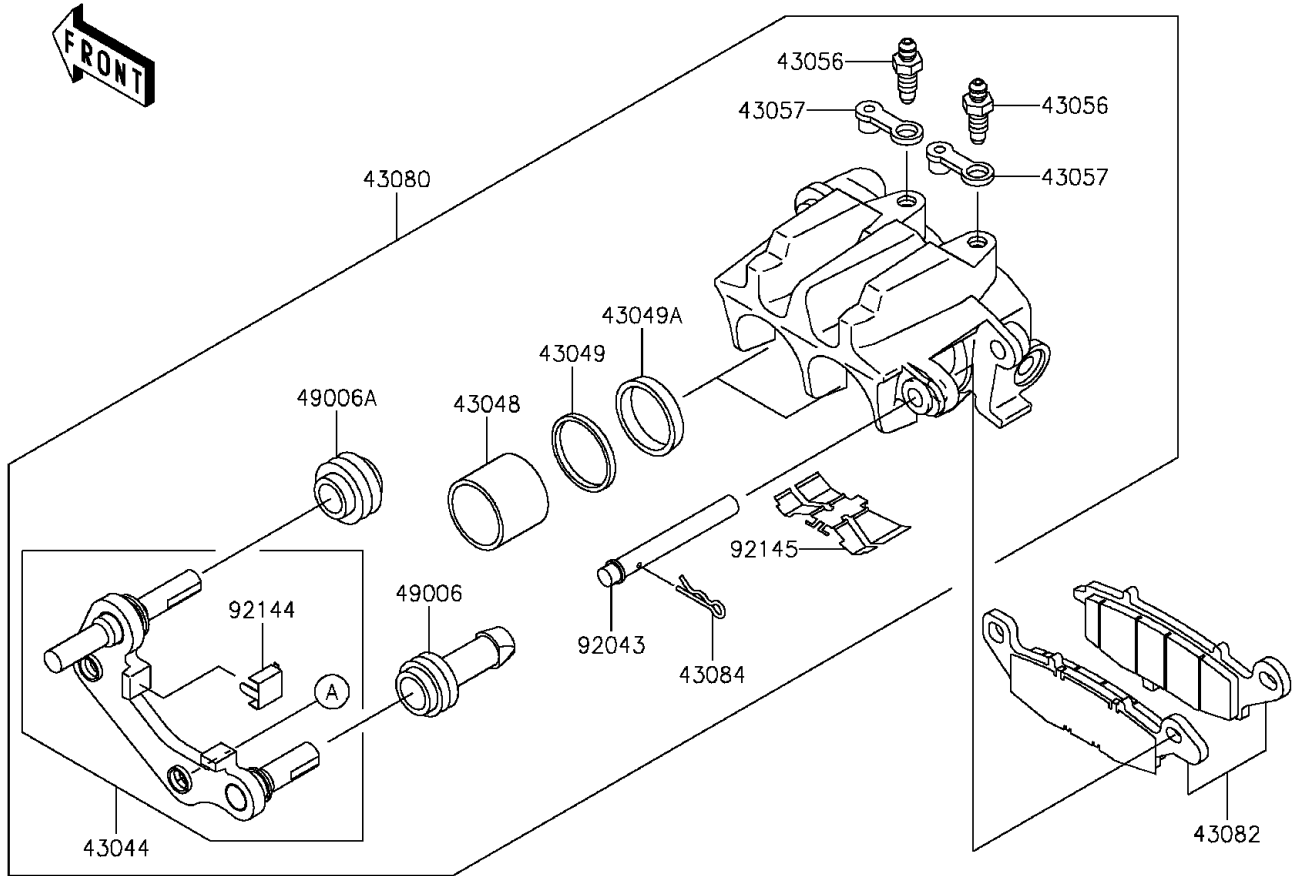


# 2015 VULCAN® 900 CLASSIC LT PARTS DIAGRAM

Rear Brake

F2294



# 2015 VULCAN® 900 CLASSIC LT PARTS LIST

Rear Brake

ITEM NAME	PART NUMBER	QUANTITY
-----------	-------------	----------