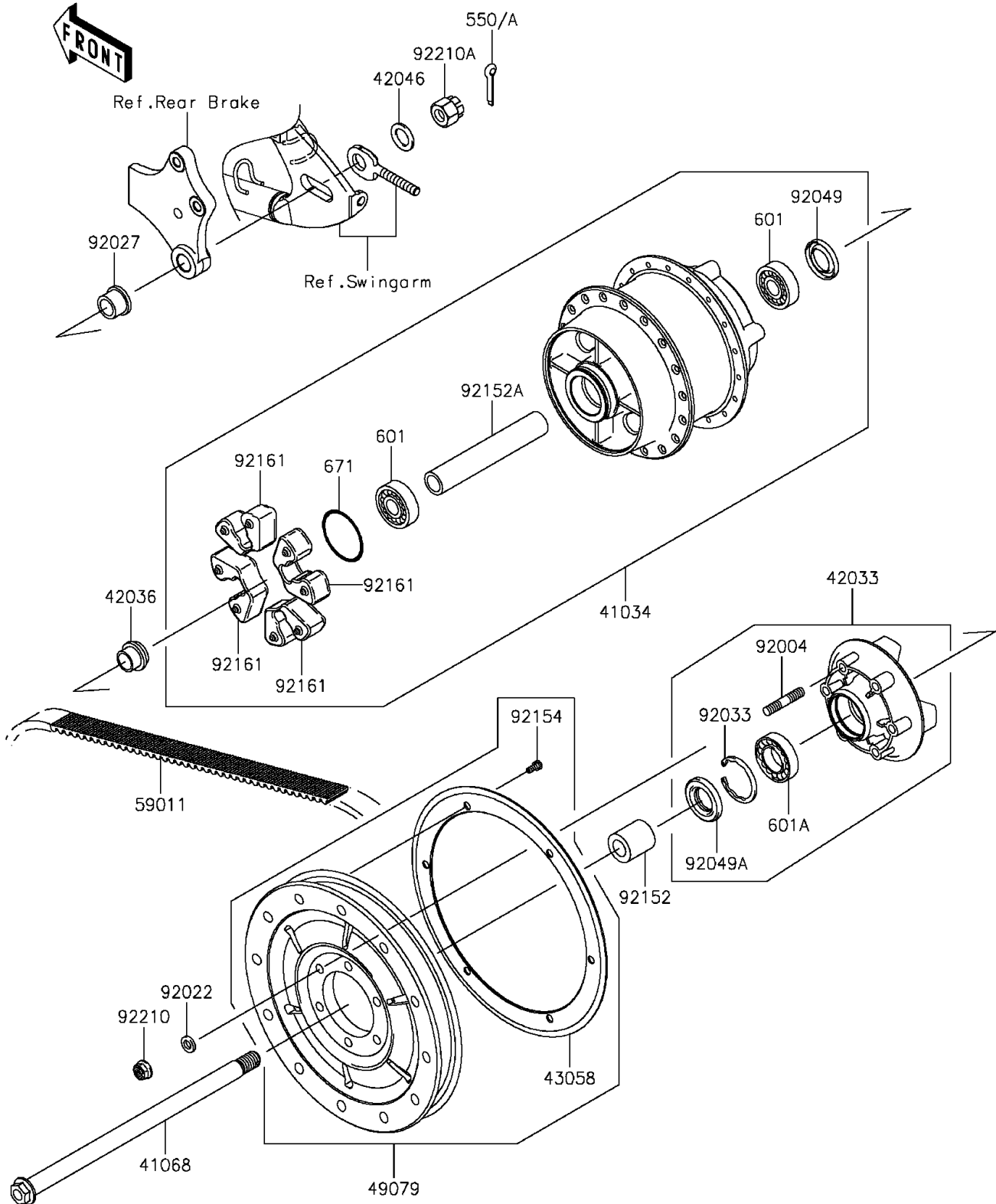


# 2015 VULCAN® 900 CLASSIC LT PARTS DIAGRAM

Rear Wheel/Chain

F2240



# 2015 VULCAN® 900 CLASSIC LT PARTS LIST

Rear Wheel/Chain

ITEM NAME	PART NUMBER	QUANTITY
-----------	-------------	----------