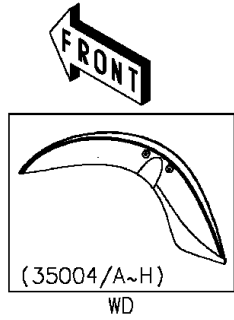


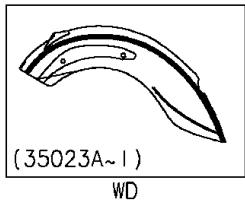
2015 VULCAN® 900 CLASSIC LT PARTS DIAGRAM

Fenders

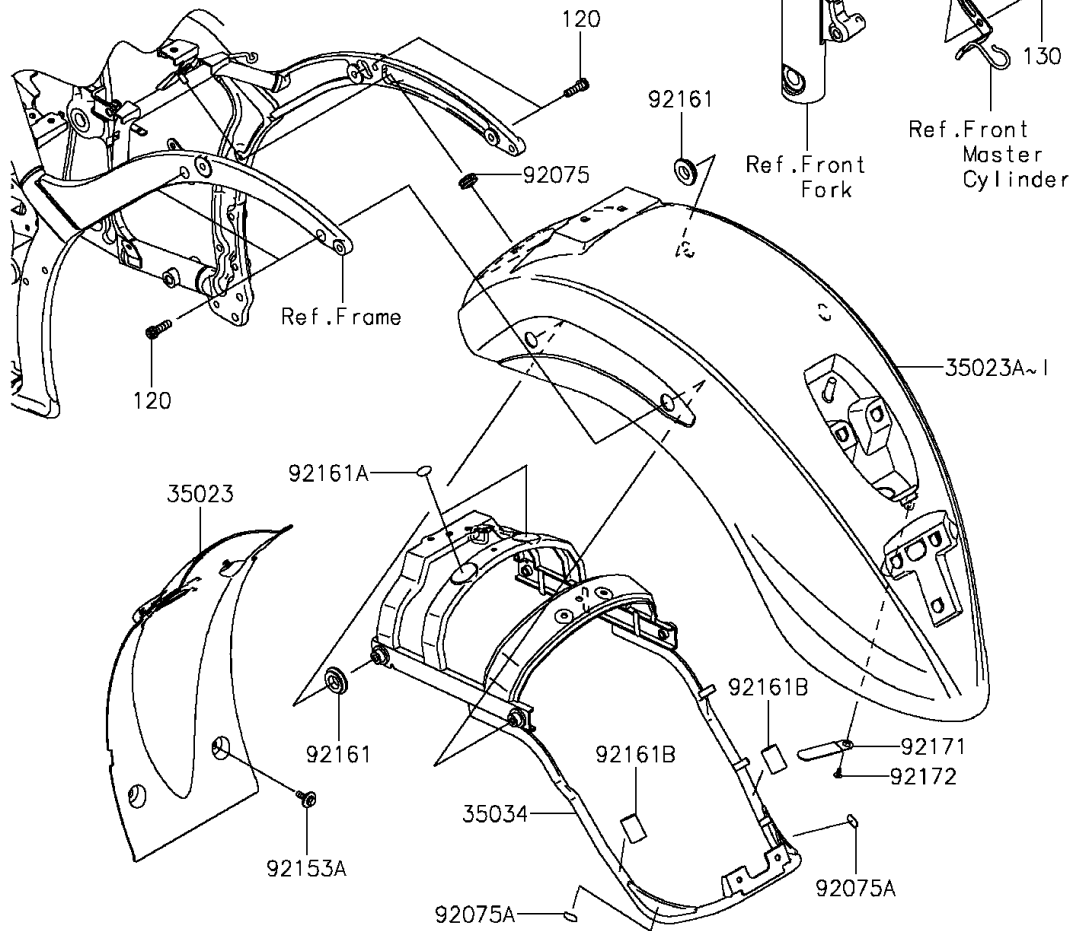
F2170



| | |
|------------|----------------|
| (35004/E) | Ebony/Titanium |
| (35004A) | Blue/Blue |
| (35004B) | Red/Beige |
| (35004C) | Ebony/Gray |
| (35004D) | White/Blue |
| (35004F) | Red/Gray |
| (35004G/H) | Gray/Black |



| | |
|------------|----------------|
| (35023A/F) | Ebony/Titanium |
| (35023B) | Blue/Blue |
| (35023C) | Red/Beige |
| (35023D) | Ebony/Gray |
| (35023E) | White/Blue |
| (35023G/I) | Gray/Black |
| (35023H) | Red/Gray |



2015 VULCAN® 900 CLASSIC LT PARTS LIST

Fenders

| ITEM NAME | PART NUMBER | QUANTITY |
|-----------|-------------|----------|
|-----------|-------------|----------|